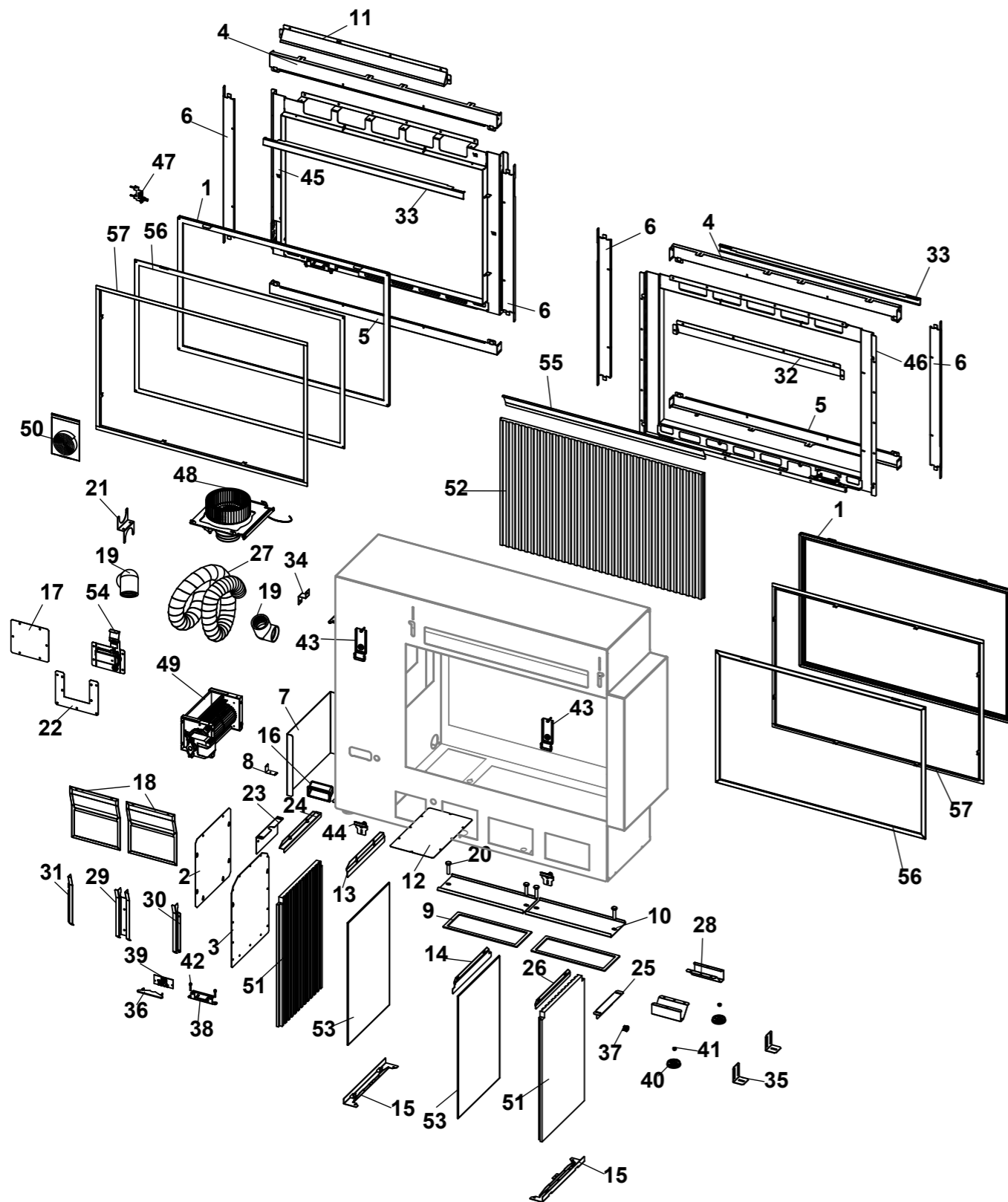


This diagram is provided to assist you to identify parts if replacement is necessary. Contact your place of purchase or the manufacturer to enquire about parts, availability and/or service.



Ref.	Description	Part No.
1	Glass frame ¹	13360
2	Fan access panel A	13317
3	Fan access panel B	13318
4	Wallboard support rail top	13371
5	Wallboard support rail bottom	13372
6	Wallboard support rail side	13373
7	End support panel	13337
8	Fan mounting bracket	13311
9	Pressure relief gasket	13330
10	Pressure relief panel	13312
11	Front air divider guide	16115B
12	Convection fan access panel	13319
13	Left magic black glass retainer	13363F
14	Right magic black glass retainer	13374F
15	Panel support bracket	13327F
16	Plastic handle	B021363
17	Front fan access panel	13321
18	Filter	16111G
19	Rubber air elbow	4328
20	Pressure relief pin	13352
21	Flue clamp bracket	13398
22	Inlet access panel	13323
23	Left ceramic panel spacer	13356
24	Left ceramic panel holder	13355F
25	Right ceramic panel spacer	13358
26	Right ceramic panel holder	13359F
27	Air inlet hose	10349
28	Handle / spacer	13339
29	Centre filter rail	16112GL
30	Right filter rail	16113GL
31	Left filter rail	16114GL
32	Rear air diverter guide	13315B
33	Louvre	13616B
34	TH1 thermistor bracket	13900
35	Seismic restraint bracket	13384
36	IR receiver lens acrylic	13416
37	Power cord grip gland	7845
38	IR receiver bracket	13468GL
39	IR receiver PCB	13419
40	Adjustable rubber foot assembly	1610
41	M6 nut	9176
42	M4 x 25 screw c/w spring & flat washer	9076

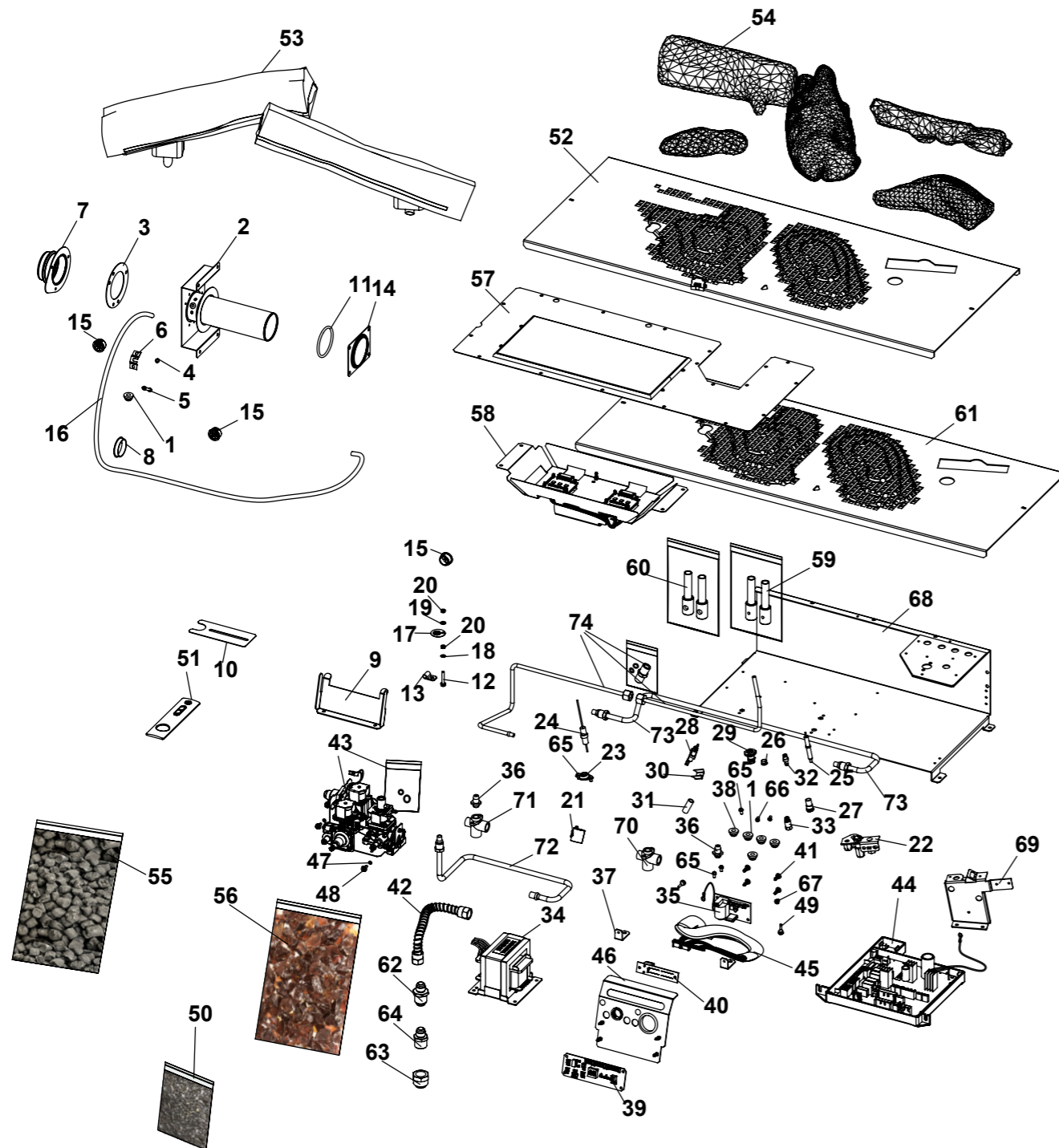
Ref.	Description	Part No.
43	Top glass retainer assembly ²	16129
44	Bottom glass retainer assembly	13689
45	Front lip assembly c/w IR bracket	16126
46	Rear lip assembly c/w IR bracket	13699
47	On/Off button assembly	13686
48	Combustion fan	13680
49	Convection fan	13681
50	Replacement tape seal 4 m	R7012
51	Ceramic end panel	13690
52	Ceramic back panel	13691
53	Magic black glass end panel	13695
54	Wi-Fi receiver assembly	13687
55	Panel ceramic holder back	13357F
56	Mesh guard assembly (accessory)	R2912
57	Finishing trim 15 mm (accessory)	R2915

¹ Includes frame, glass, and rope seal tape fitted

² Includes pins, screws, and spring

Linear 800 gas fireplace V2 (FlameTech log set)

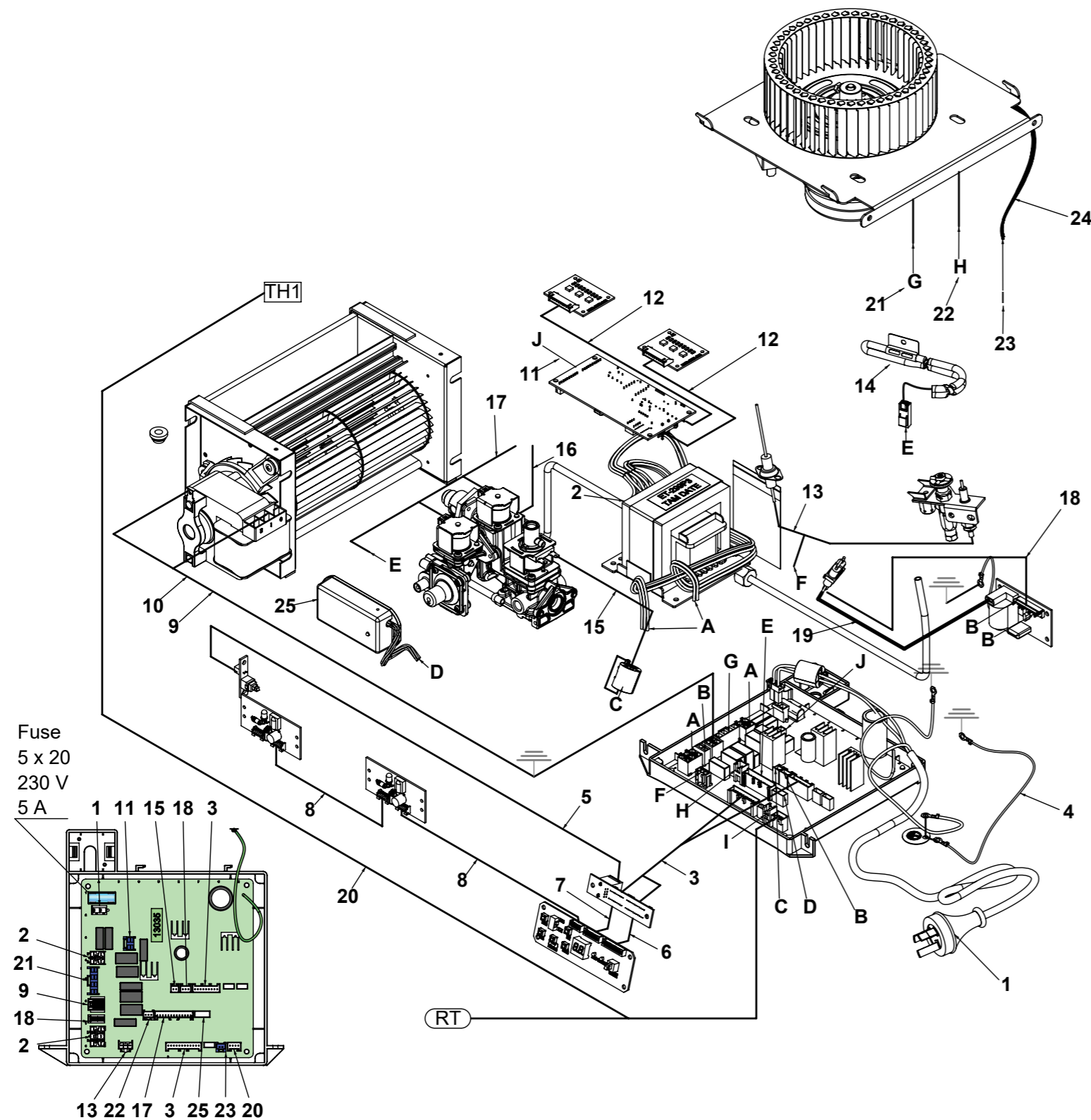
This diagram is provided to assist you to identify parts if replacement is necessary. Contact your place of purchase or the manufacturer to enquire about parts, availability and/or service.



Ref.	Description	Part No.
1	Grommet silicone Ø4 hole red	10293
2	Air inlet assembly	10236
3	Air inlet packing	10238
4	Test point packing	9995
5	Air pressure tube	10492
6	Pressure tube clamp	10493
7	Air inlet hose connector	10344
8	Edge protector 32 mm	11937
9	Control panel holder	13402
10	Pipe inlet cover	13331
11	O-ring 49 mm	4850
12	M4 x 25 screw with spring & flat washer	9076
13	Power cord P clip	9552
14	Inlet seal clamp plate	13532
15	Edge protector 19 mm adjustable	10658
16	Silicone tube 7 mm	12658
17	Earth tag	11269
18	M4 spring washer	9233
19	M4 washer	9231
20	M4 nut	9186
21	Ferrite clamp	13004
22	Pilot body convertible	7870
23	Flame rod bracket	3068
24	Flame rod	10274
25	Electrode	7875
26	Pilot electrode spacer	7902
27	Electrode nut	7900
28	Double spark electrode	10265
29	Pilot convertible hood 3-flame	10272
30	Electrode clamp universal control	13043
31	Silicone tube 9.5 mm	11641
32	Pilot injector LPG 35	7873
32	Pilot injector NG 62	7795
33	Olive 6 mm	7519
34	Transformer	10258
35	Igniter	13006
36	Injector NG 2.0	11221
36	Injector LPG 1.20	12505
37	PCB mounting bracket	13366
38	Grommet silicone 2Ø1.8 hole black	10294
39	Display PCB	10253
40	PCB interface board	12494
41	PCB spacer black	9004

Ref.	Description	Part No.
42	Flexi gas tube connector	7835
43	Gas control	13682
44	Main PCB	13684
45	Control panel harness	13685
46	Display PCB mounting board	13704
47	O-ring 4 mm (M10B-13-4))	2239
48	Test point screw	3564
49	Self-fix rubber bumper 25-TNF	11304
50	Vermiculite (1.5 L)	13044
51	Remote control	13040
52	FlameTech dble side burner surround	13324F
53	FlameTech self burning logs	13497
54	FlameTech decorative log set	13499
55	Black embers (1 kg)	13471
56	Glass embers (2.5 kg)	13475
57	FlameTech gas control access panel	13706
58	LED display and controller	13705
59	FlameTech NG aeration sleeves	13708
60	FlamTech ULPG aeration sleeves	13709
61	FlameTech single sided burner surround	13316F
62	½" BSP flare - ¾" BSP flare connector	11944
63	½" compression nut (RA)	5064
64	½" BSPT - ¾" BSP flare connector (RA)	5074
65	M4 x 8 screw PHPMZ c/w washer	9064
66	M4 x 8 screw pan phil ZP	9063
67	Earthing screw c/w serrated washer	9143
68	FlameTech gas control mount plate	13365
69	FlameTech pilot bracket	13408
70	Injector mounting block (A+B)	7952
71	Injector mounting block (A+B+C)	12208
72	FlameTech gas supply tube A	13432
73	FlameTech gas supply tube - joiner	13433
74	FlameTech pilot gas supply tube	13707

This diagram is provided to assist you to identify parts if replacement is necessary. Contact your place of purchase or the manufacturer to enquire about parts, availability and/or service.



Ref.	Description	Part No.		
		800	1000	1500
1	Power cord universal control	13042		
2	Transformer	10258		
3	Harness control panel	10284		
4	Wire earth combustion fan	10387		
5	Harness on/off	13379		
6	Harness 12-way control panel	12492		
7	Harness 9-way control panel	12496		
8	Harness receiver	12656		
9	Harness fan - PRE Feb 2020	12839		
9	Harness fan - POST Feb 2020	13407	13407	13101
10	Harness fan extension	N/A	N/A	13351
11	Harness control PCB LED FT only	13333	N/A	N/A
12	Harness LED FT only	13334	N/A	N/A
13	Harness flame rod	13008		
14	Thermal fuse	13011		
15	Harness POV	13012		
16	Harness MV relay	13013		
17	Harness TFMV 1-burner	13014	13014	N/A
17	Harness TFMV 2-burner	N/A	N/A	13010
18	Harness ignition	13031		
19	HT lead universal control	13089		
20	Harness RT OH1	13483		
21	Harness combustion fan	10289		
22	Harness combustion fan speed	10480		
23	Harness combustion fan thermistor fly	10507		
24	Harness thermistor combustion fan	13559		
25	Wi-Fi receiver	13038		