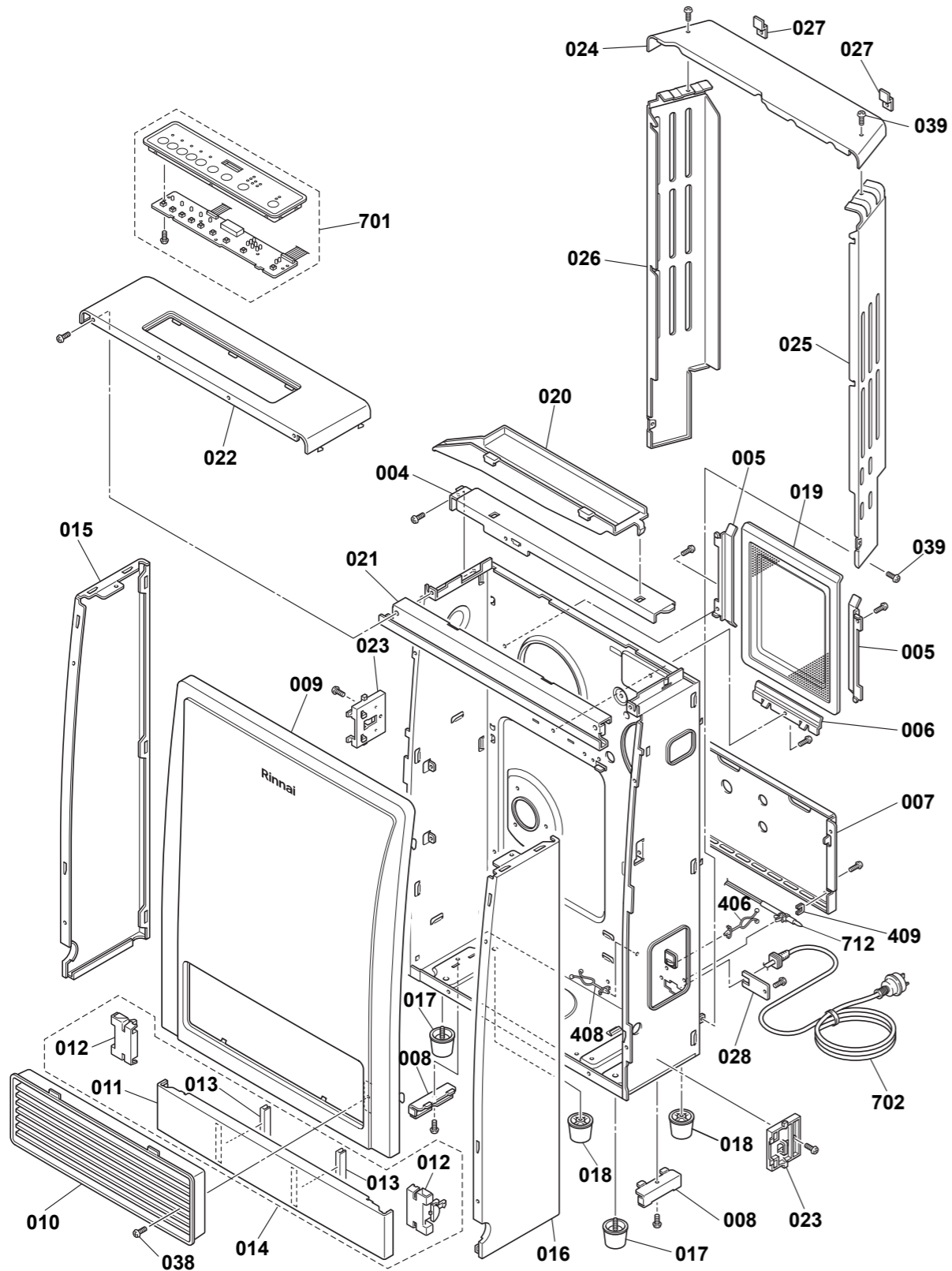
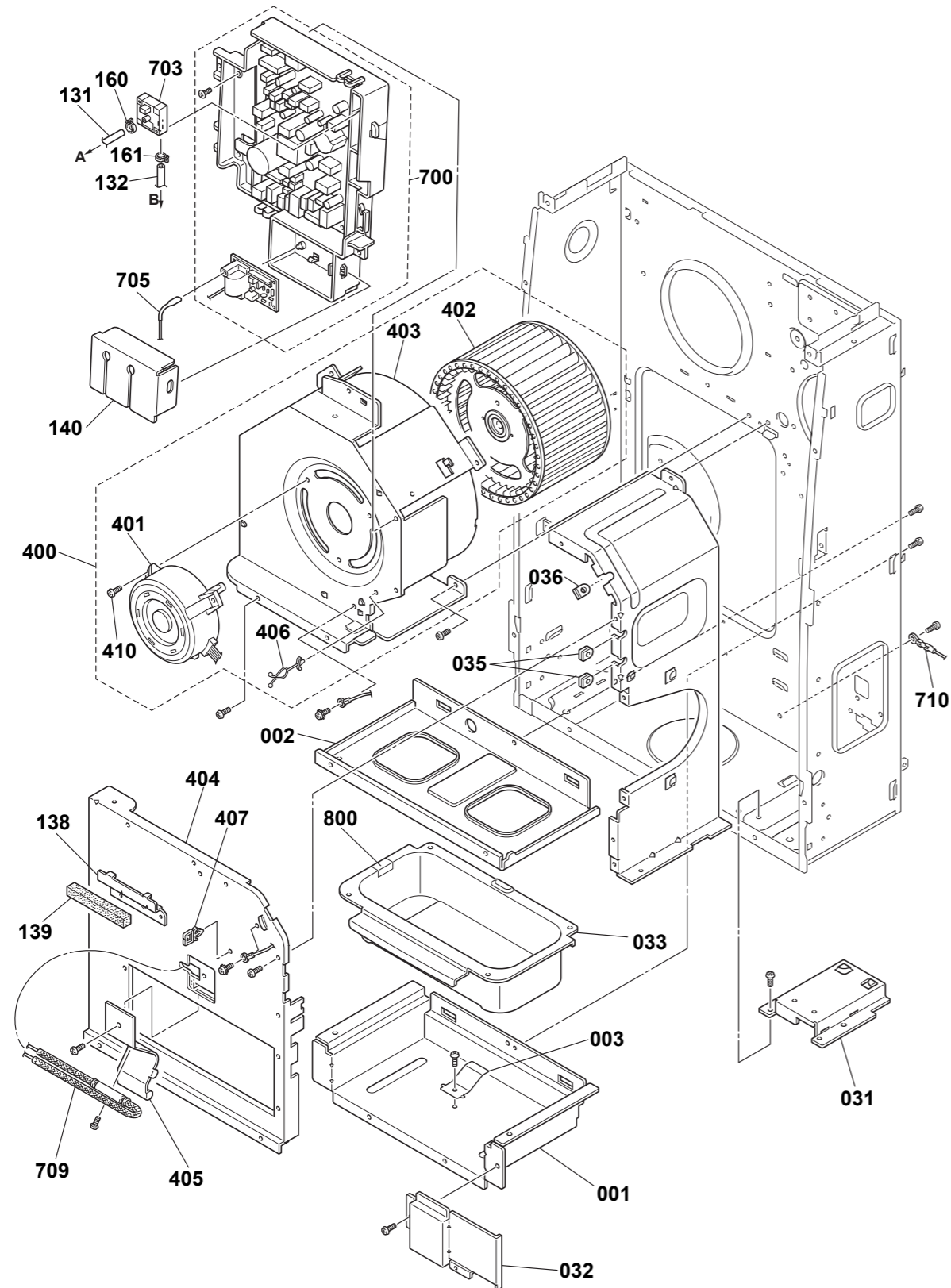


This diagram is provided to assist you to identify parts if replacement is necessary. Contact your place of purchase or the manufacturer to enquire about parts, availability and/or service.



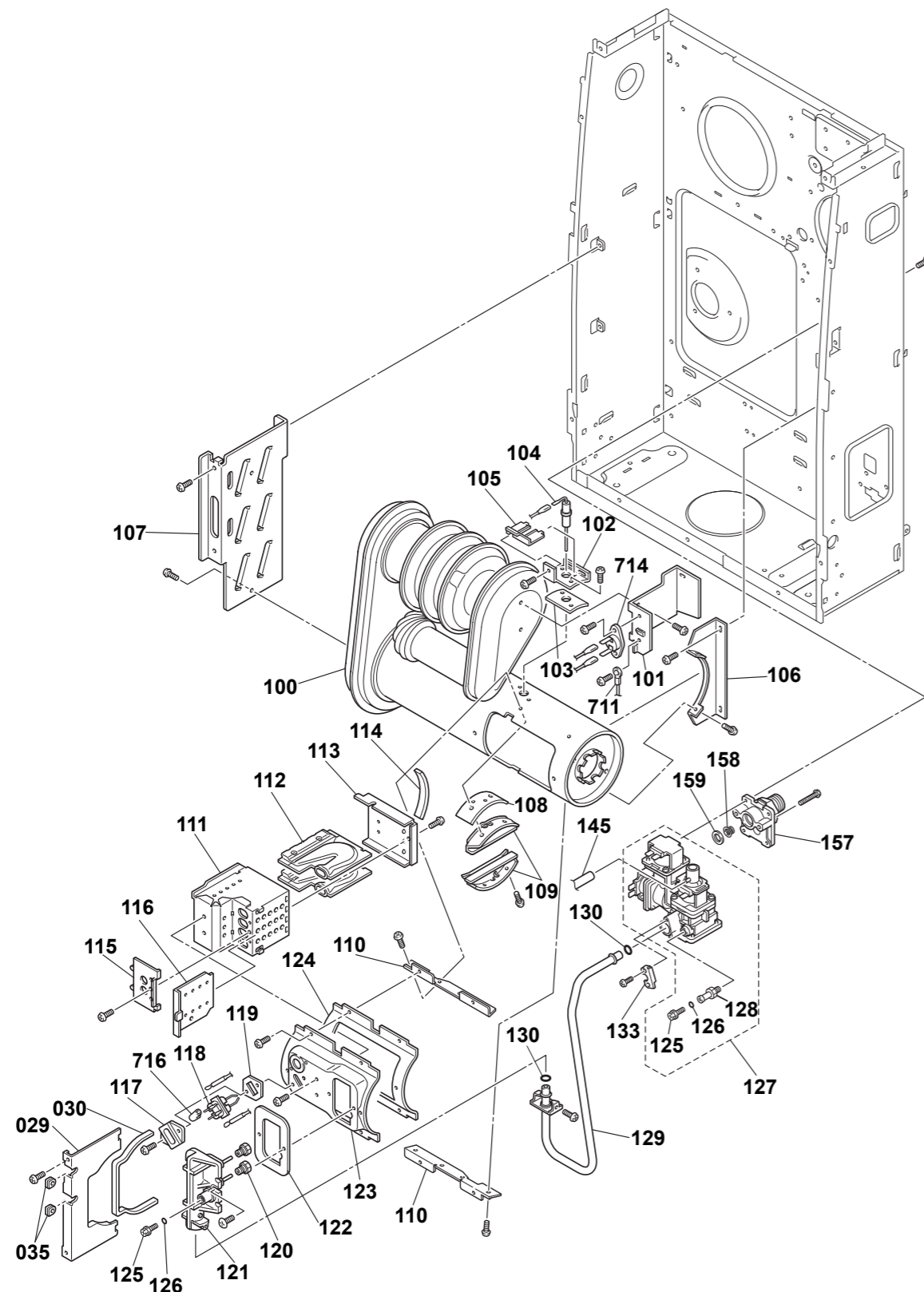
Ref.	Description	Qty	Part No.
004	Convection fan bracket	1	5365
005	Filter bracket B	2	40459
006	Filter support	1	4002
007	Heat shield panel	1	40460
008	Floor fixing bracket	2	3541
009	Front panel	1	40461
010	Louvre assembly	1	40462
011	Lower panel	1	5369
012	Lock A	2	5370
013	Lower cover gasket	2	40463
014	Lower panel assembly	1	40464
015	Side panel left	1	5371
016	Side panel right	1	5372
017	Front leg	2	3403
018	Back leg	2	3405
019	Air filter C assembly	1	5373
020	Cover	1	5374
021	Top panel support	1	5379
022	Top panel	1	5380
023	Lock bracket	2	5444
024	Back spacer top panel	1	40465
025	Back spacer side panel right	1	40466
026	Back spacer side panel left	1	40467
027	Securing brackets	2	5837
028	Power cord retainer	1	5390
038	Screw	1	40469
031	Screw 8 x 3/8 PHPSC)	1	9146
406	Cable clip	1	5391
408	Cable clip	1	5393
409	Edge saddle	1	5862
701	Control panel assembly	1	40488
702	Power supply cord		40489
712	Room thermistor assembly	1	40498

This diagram is provided to assist you to identify parts if replacement is necessary. Contact your place of purchase or the manufacturer to enquire about parts, availability and/or service.



Ref.	Description	Qty	Part No.
001	Bottom plate support	1	40457
002	Bottom plate upper partition	1	40458
003	Humidifier tray fixing plate	1	5363
031	Transformer bracket	1	5394
032	OHS no.2 bracket	1	40468
033	Humidifier pan	1	3554
035	Cord gasket B	4	5496
036	Cord gasket A	1	5497
131	Pressure gauge tube B	1	40473
132	Pressure gauge tube A	1	40474
138	Front panel fixer	1	5442
139	Front panel packing	1	5443
140	Igniter cover	1	40476
160	Clip hose 6 mm	1	10465
161	Hose band N	1	40480
400	Convection fan assembly	1	40482
401	Convection fan motor	1	40483
402	Sirocco fan assembly	1	48484
403	Convection fan case assembly	1	40485
404	Heat shield board assembly	1	5459
405	TF fixing plate	1	5460
406	Cable clip (0248)	1	5391
407	Wire clip	1	5541
410	Truss FT screw	1	40486
700	PCB assembly (igniter incl.)	1	40487
703	Pressure sensor	1	40490
705	High tension cord	1	5467
709	TF harness	1	40495
710	Thermostat	1	40496
800	Water line label	1	5556

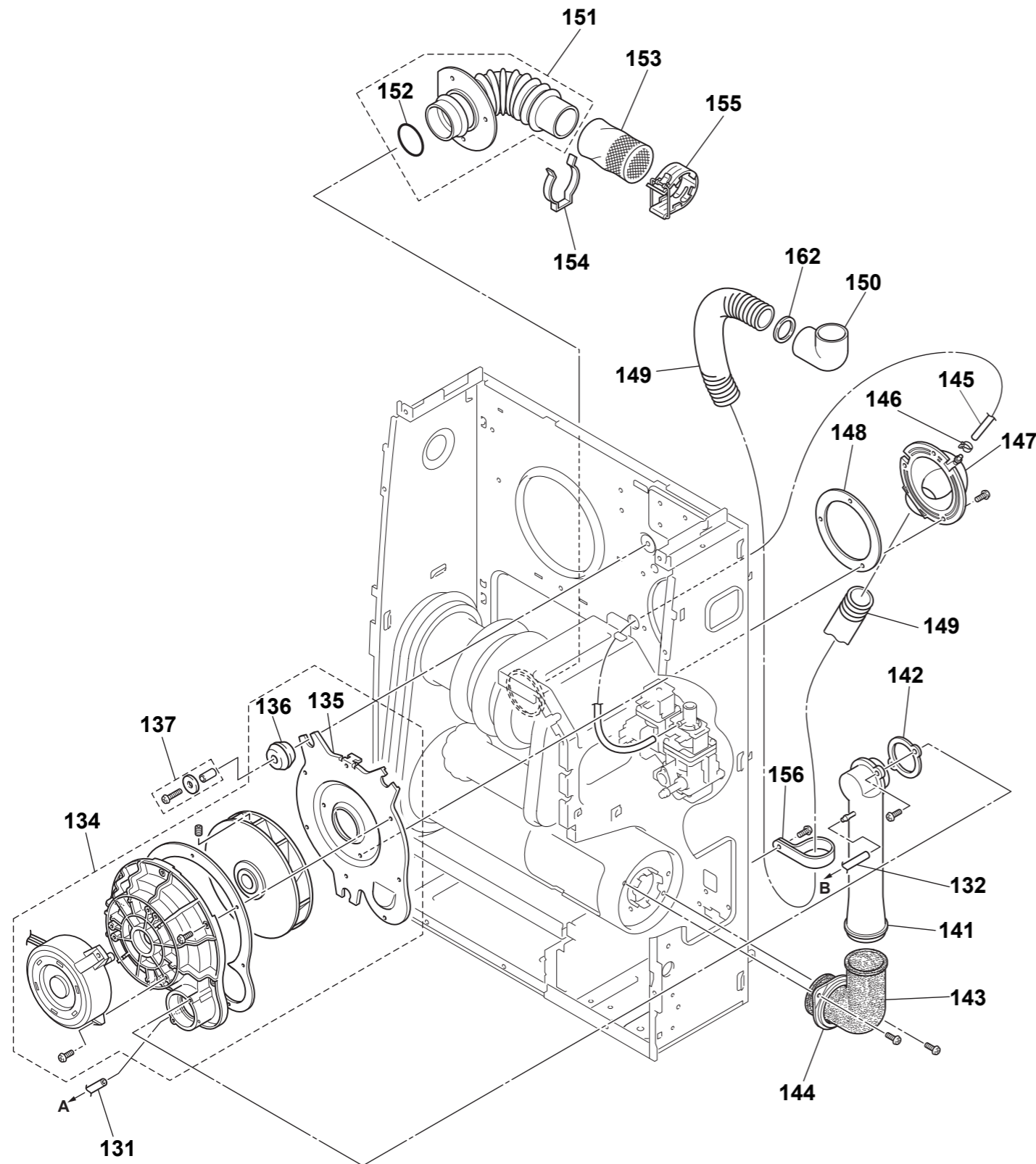
This diagram is provided to assist you to identify parts if replacement is necessary. Contact your place of purchase or the manufacturer to enquire about parts, availability and/or service.



Ref.	Description	Qty.	Part No.
029	Warm air seal panel	1	5432
030	Heat exchanger gasket B	1	4306
035	Cord gasket B	4	5496
100	Heat exchanger assembly	1	40471
101	OHS fixing plate	1	5398
102	Flame rod bracket	1	5400
103	Flame rod gasket B	1	4230
104	Flame rod	1	5408
105	Flame rod retainer	1	5409
106	Combustion chamber fixer	1	5410
107	Fixing plate	1	5411
108	Seal plate packing	1	5412
109	Seal plate B assembly	2	5413
110	Flange board	2	5414
111	Burner box assembly	1	5415
112	Small wing burner	2	3091
113	Burner support rear assembly	1	5416
114	Burner box gasket	1	4231
115	Primary air damper	1	3588
116	Secondary air damper LPG	1	3593
116	Secondary air damper NG	1	3594
117	Electrode retainer plate	1	5843
118	Electrode	1	5844
119	Electrode packing	1	5845
120	Main injector LPG	2	3093
120	Main injector NG	2	5420
121	Manifold assembly	1	5427
122	Manifold packing	1	5428
123	Burner box fitting plate	1	5481
124	Fitting plate packing	1	40472
125	Pressure point seal screw	1	40338
126	O-ring (S4)	2	40224
127	Gas control assembly	1	40051
128	Pressure point screw	1	5657
129	Inter-connection assembly	1	5437

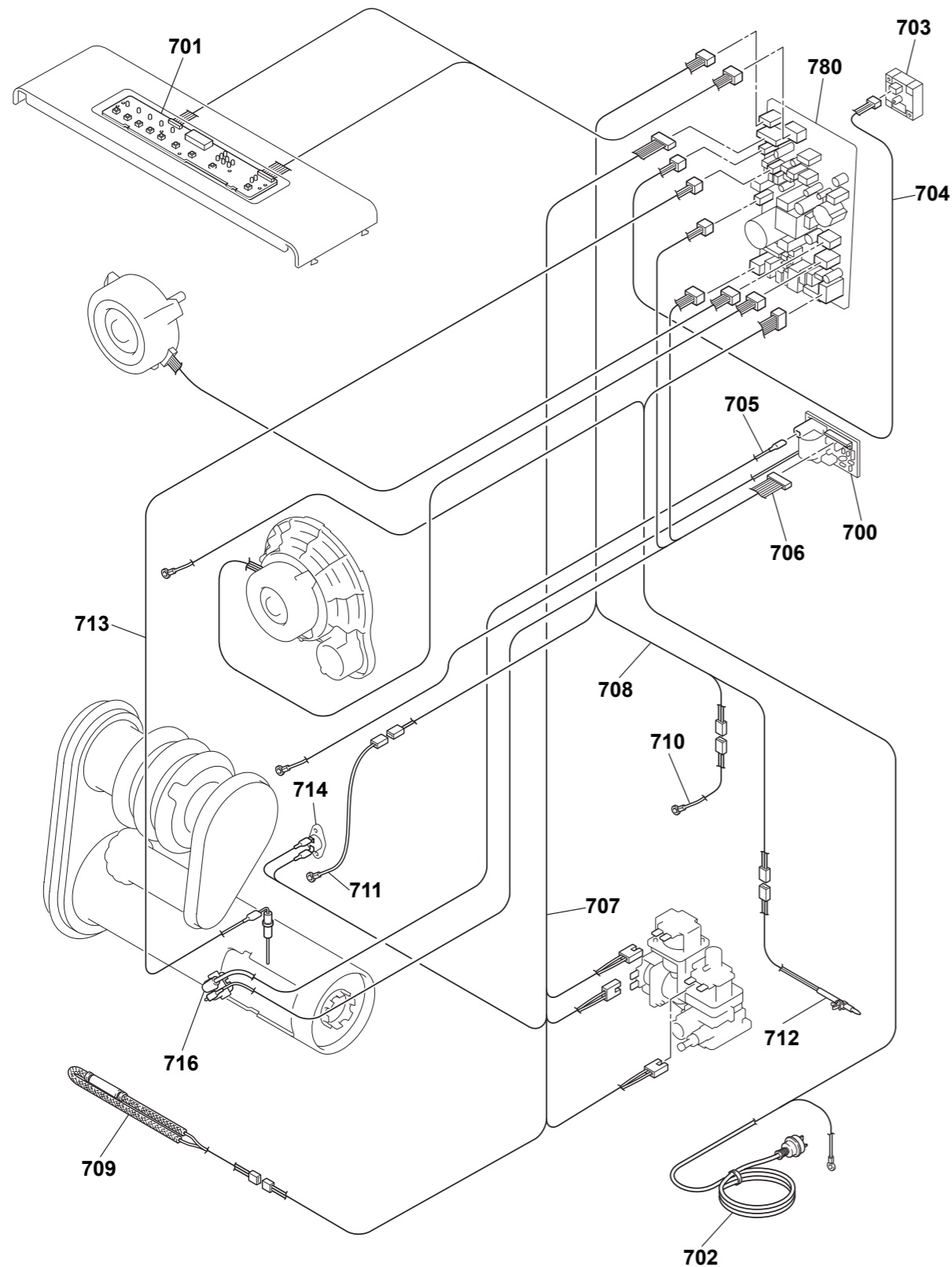
Ref.	Description	Qty.	Part No.
130	O-ring (P-10)	2	6786
133	Connecting tube retainer	1	5438
145	Back pressure tube	1	5529
157	Gas inlet	1	4360
158	Gas filter	1	40079
159	Packing	1	1732
711	Thermostat	1	40497
714	Overheat switch	1	4385
716	Electrode sleeve	1	-

This diagram is provided to assist you to identify parts if replacement is necessary. Contact your place of purchase or the manufacturer to enquire about parts, availability and/or service.



Ref.	Description	Qty.	Part No.
131	Pressure gauge tube B	1	40473
132	Pressure gauge tube A	1	40474
134	Combustion fan assembly	1	40475
135	Combustion fan motor bracket	1	5441
136	Cushion rubber	3	4364
137	Screw for combustion fan	1	5850
141	Air inlet tube	1	40477
142	Air inlet packing	1	5446
143	Combustion chamber connection	1	5447
144	Connecting tube fixer	1	5448
145	Back pressure tube	1	5529
146	Clip hose 8 mm	1	10495
147	Air inlet A	1	5451
148	Air inlet packing	1	4053
149	Air intake flexible hose	1	4041
150	Air intake elbow	1	4040
151	Exhaust elbow assembly	1	5454
152	O-ring	1	4037
153	Cover	1	2972
154	Stainless steel sheath clamp	1	4171
155	Flue lock clamp	1	3455
156	Plastic inlet hose clips	2	4373
162	Air intake baffle ring	1	40481

This diagram is provided to assist you to identify parts if replacement is necessary. Contact your place of purchase or the manufacturer to enquire about parts, availability and/or service.



Ref.	Description	Qty.	Part No.
700	Igniter	1	5466
701	Control panel assembly	1	40488
703	Pressure sensor	1	40490
704	Pressure sensor harness	1	40491
705	High tension cord	1	5467
706	Ignition harness assembly	1	40492
707	POVSV harness	1	40493
708	Thermistor relay harness assembly	1	40494
709	TF harness	1	40495
710	Thermostat	1	40496
711	Thermostat	1	40497
712	Room thermistor assembly	1	40498
713	FR lead	1	40499
714	Overheat switch	1	4385
716	Electrode sleeve	1	-
780	PC board bracket assembly	1	40487