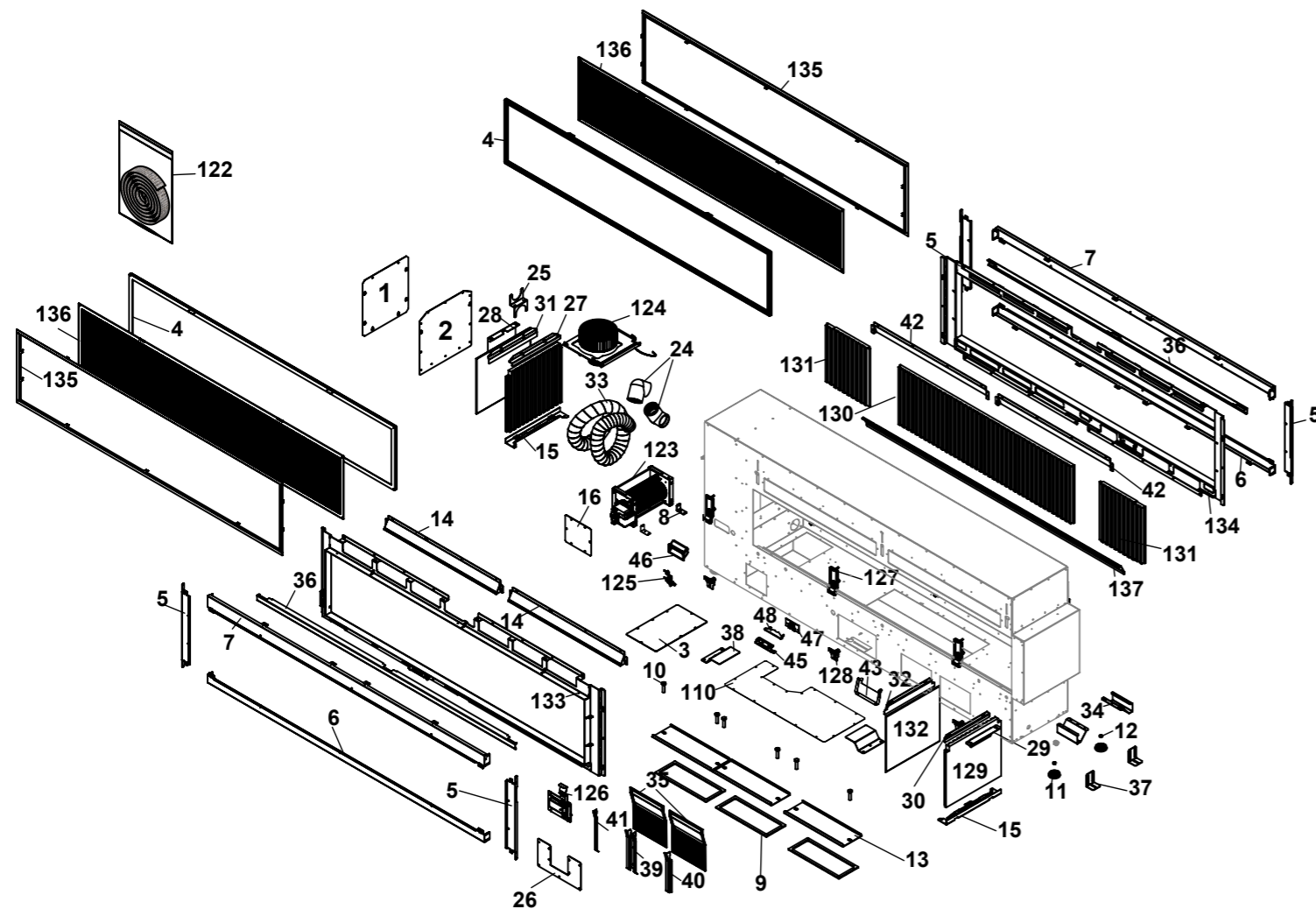
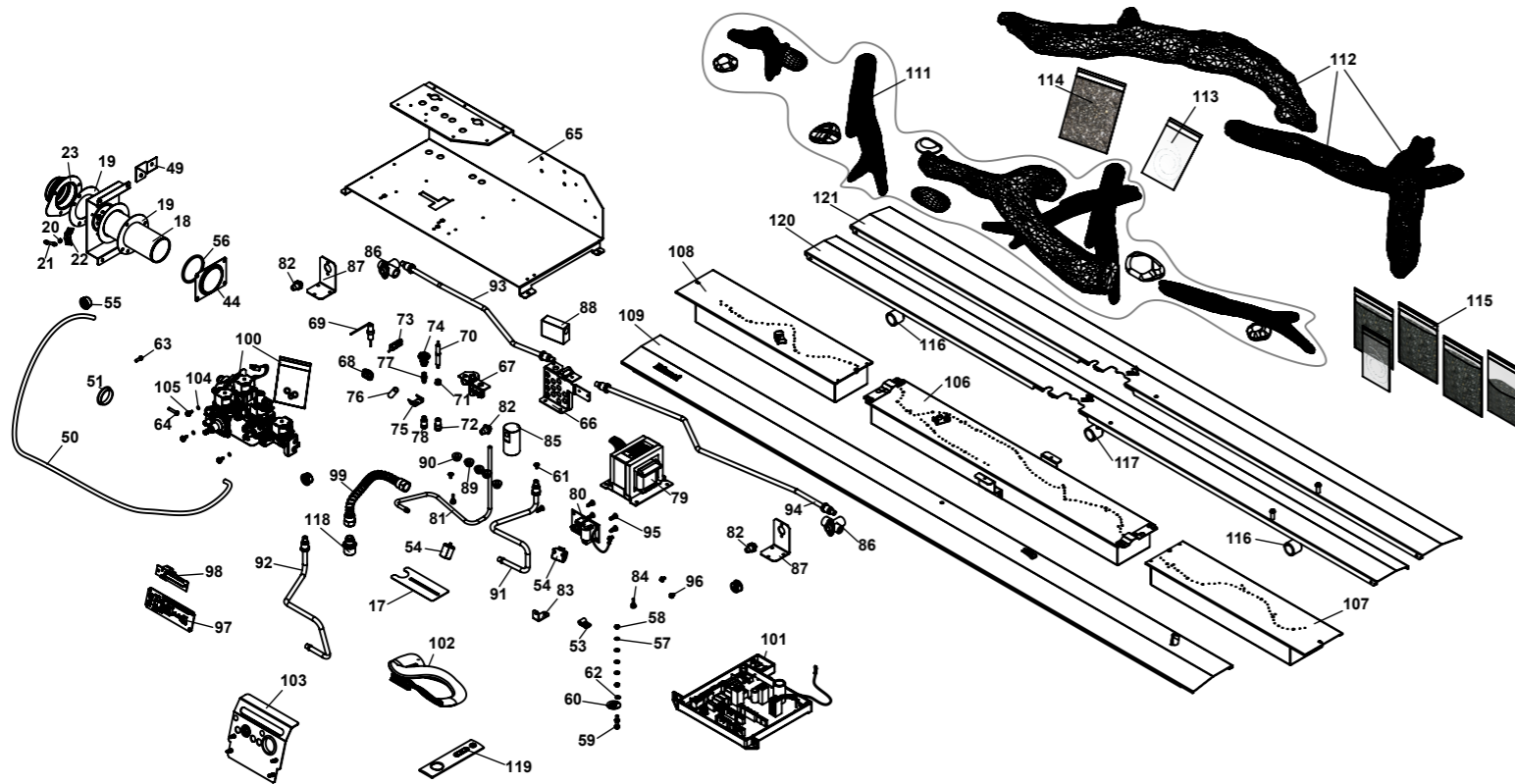


This diagram is provided to assist you to identify parts if replacement is necessary. Contact your place of purchase or the manufacturer to enquire about parts, availability and/or service.



Ref.	Description	Part No.	Ref.	Description	Part No.
1	Fan access panel A	13317	110	Gas control access panel	13320
2	Fan access panel B	13509	122	Replacement tape seal (4 m)	R7012
3	Convection fan access panel	13319	123	Convection fan	13681
4	Glass frame 1500 (incl. frame and rope seal tape fitted)	13450	124	Combustion fan	13680
5	Wallboard support rail side	13516	125	ON / OFF button assembly	13686
6	Wallboard support rail bottom	13527	126	Wi-Fi receiver assembly	13687
7	Wallboard support rail top	13526	127	Top glass retainer assembly (incl. pins, screws, and spring)	16129
8	Fan mounting bracket	13311	128	Bottom glass retainer assembly (incl. pins, screws, and spring)	13689
9	Pressure relief valve	13330	129	Ceramic end panel	13692
10	Pressure relief pin	13352	130	Ceramic back / centre panel	13693
11	Adjustable rubber foot assembly	1610	131	Ceramic side infill panel	13694
12	M6 nut	9176	132	Magic black glass end panel	13697
13	Pressure relief panel	13312	133	Front lip assembly c/w IR bracket	13702
14	Front air diverter guide	16115B	134	Rear lip assembly c/w IR bracket	13703
15	Panel support bracket	13327F	135	Finishing trim (15 mm wide) (accessory)	R2917
16	Front fan access panel	13321	136	Mesh guard assembly (accessory)	R2914
24	Rubber air elbow	4328	137	Rear ceramic panel holder	13525F
25	Flue clamp bracket	13398			
26	Inlet access panel	13328			
27	Left ceramic panel holder	13355F			
28	Left ceramic panel spacer	13356			
29	Right ceramic panel spacer	13358			
30	Right ceramic panel holder	13359F			
31	Left magic black glass retainer	13363F			
32	Right magic black glass retainer	13374F			
33	Air inlet hose	10349			
34	Handle / spacer	13339			
35	Filter	16111G			
36	Louvre	13618B			
37	Seismic restraint bracket	13384			
38	Burner support bracket	13415			
39	Centre filter rail	16112GL			
40	Right filter rail	16113GL			
41	Left filter rail	16114GL			
42	Rear air diverter guide (dble side only)	13315B			
43	Control panel holder	13402			
44	Inlet seal clamp plate	13532			
45	IR receiver bracket	13468GL			
46	Plastic handle	B021363			
47	IR receiver PCB	13419			
48	IR receiver lens acrylic	13416			

This diagram is provided to assist you to identify parts if replacement is necessary. Contact your place of purchase or the manufacturer to enquire about parts, availability and/or service.

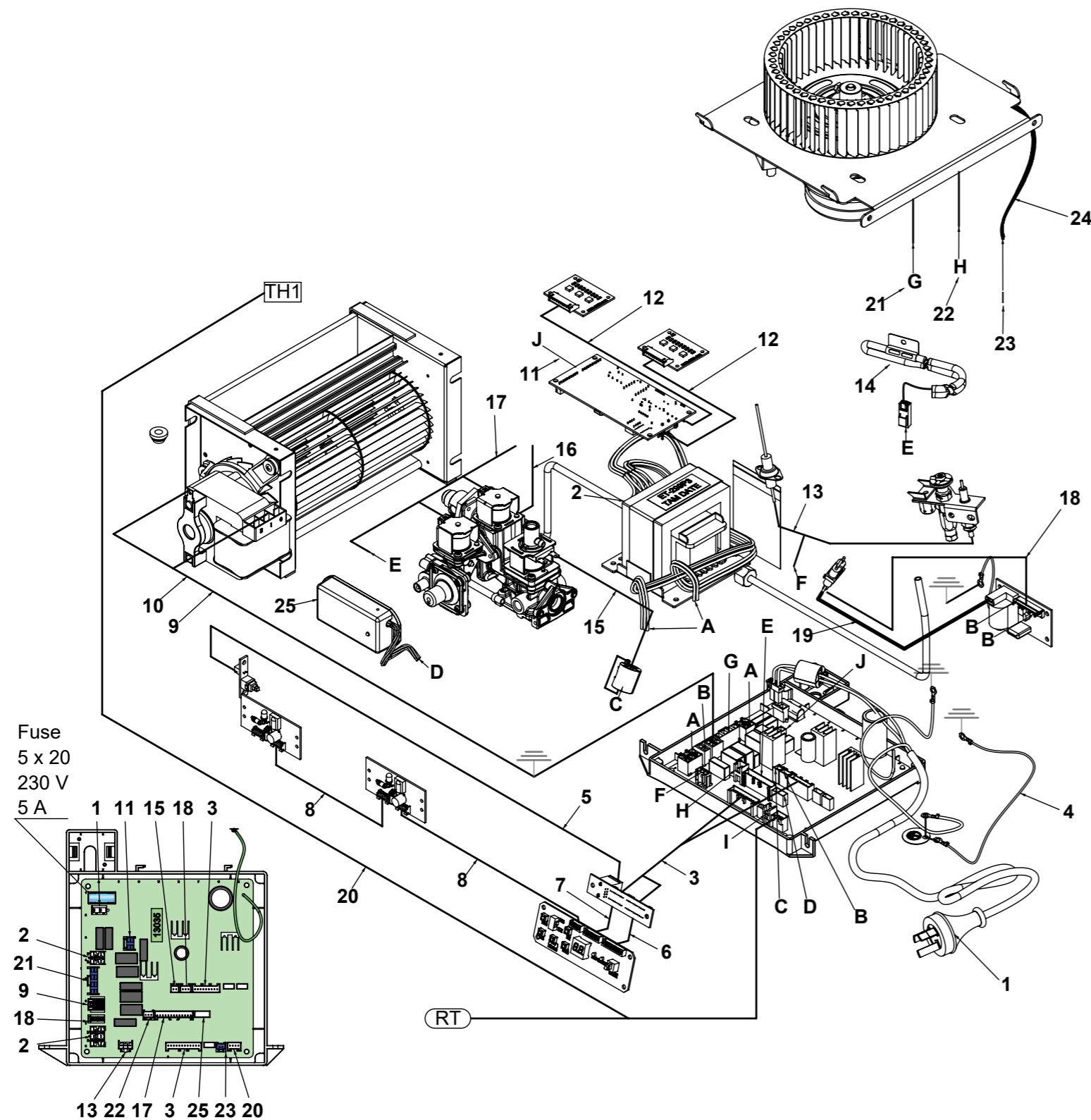


Ref.	Description	Part No.	Ref.	Description	Part No.
17	Pipe inlet cover	13331	82	Injector LPG LH RH 0.95	12735
18	Air inlet assembly	10236	82	Injector NG LH RH 1.60	11535
19	Air inlet packing	10238	83	PCB mounting bracket	13366
20	Test point packing	9995	84	Self fix rubber bumper 25-TNF	11304
21	Air pressure tube	10492	85	Injector block	11530
22	Pressure tube clamp	10493	86	Injector mounting block (A+B)	7952
23	Air inlet hose connector	10344	87	Injector block bracket	13332
44	Inlet seal clamp plate	13532	88	Gas tube splitter manifold	13414
49	TH1 thermistor bracket	13900	89	Grommet silicone Ø4 hole red	10293
50	Silicone tube 7 mm	12658	90	Grommet silicone 2 Ø1.8 hole black	10294
51	Edge protector 32 mm	11937	91	Main gas supply tube	13435
-	Power cord grip gland	7845	92	Gas supply tube - outer burners	13436
53	Power cord P clip	9552	93	Gas supply tube - left burner	13437
54	Ferrite clamp	13004	94	Gas supply tube - right burner	13438
55	Edge protector 19 mm adjustable	10658	95	PCB spacer black	9004
56	O-ring 49 mm	4850	96	Earthing screw c/w serrated washer	9143
57	M4 spring washer	9233	97	PCB display	10253
58	M4 nut	9186	98	PCB interface board	12494
59	M4 x 25 screw c/w spring & flat washer	9076	99	Flexi gas tube connector	7835
60	Earth tag	11269	100	Gas control	13683
61	4 x 8 truss head screw	9159	101	Main PCB	13684
-	M4 washer	9231	102	Control panel harness (with cover)	13685
63	M4 x 14 screw with spring washer	9160	103	Display PCB mounting plate	13704
64	M4 x 20 screw pan phillips ZP	9073	104	O-ring 4 mm (M10B-13-4)	2239
65	Gas control mounting plate	13364	105	Test point screw	3564
66	Pilot bracket	12824	106	Centre burner	13464F
67	Pilot body convertible	7870	107	Right burner	13465F
68	Flame rod bracket	3068	108	Left burner	13467F
69	Flame rod	10274	109	Front burner surround	13454F
70	Electrode	7875	111	Log and stone set ¹	13480
71	Pilot electrode spacer	7902	112	Logs (log set B) ¹	13481
72	Electrode nut	7900	113	Wire wool 3 g (glowing ash) ¹	13476
73	Double spark electrode	10265	114	Vermiculite (1.5 L)	13044
74	Pilot convertible hood 3-flame	10272	115	Modern media kit (crushed glass)	R2905
75	Electrode clamp universal control	13043	116	Aeration sleeve NG 21 mm	7296
76	Silicone tube 9.5 mm	11641	117	Aeration sleeve 22.5 mm	13340
77	Pilot injector LPG 35	7873	118	½" BSPT - ⅜" BSP flare connector (RA)	5074
77	Pilot injector NG 62	7795	119	Remote control	13040
78	Olive 6 mm	7519	120	Rear burner surround single side	13710
79	Transformer	10258	121	Rear burner surround double side	13711
80	Igniter	13006			

¹ Complete media set is R2902

Linear 1500 V2 gas fireplace (wiring)

This diagram is provided to assist you to identify parts if replacement is necessary. Contact your place of purchase or the manufacturer to enquire about parts, availability and/or service.



Ref.	Description	Part No.		
		800	1000	1500
1	Power cord universal control		13042	
2	Transformer		10258	
3	Harness control panel		10284	
4	Wire earth combustion fan		10387	
5	Harness on/off		13379	
6	Harness 12-way control panel		12492	
7	Harness 9-way control panel		12496	
8	Harness receiver		12656	
9	Harness fan - PRE Feb 2020		12839	
9	Harness fan - POST Feb 2020	13407	13407	13101
10	Harness fan extension	N/A	N/A	13351
11	Harness control PCB LED FT only	13333	N/A	N/A
12	Harness LED FT only	13334	N/A	N/A
13	Harness flame rod		13008	
14	Thermal fuse		13011	
15	Harness POV		13012	
16	Harness MV relay		13013	
17	Harness TFMV 1-burner	13014	13014	N/A
17	Harness TFMV 2-burner	N/A	N/A	13010
18	Harness ignition		13031	
19	HT lead universal control		13089	
20	Harness RT OH1		13483	
21	Harness combustion fan		10289	
22	Harness combustion fan speed		10480	
23	Harness combustion fan thermistor fly		10507	
24	Harness thermistor combustion fan		13559	
25	Wi-Fi receiver		13038	
-	Power cord holder		7845	