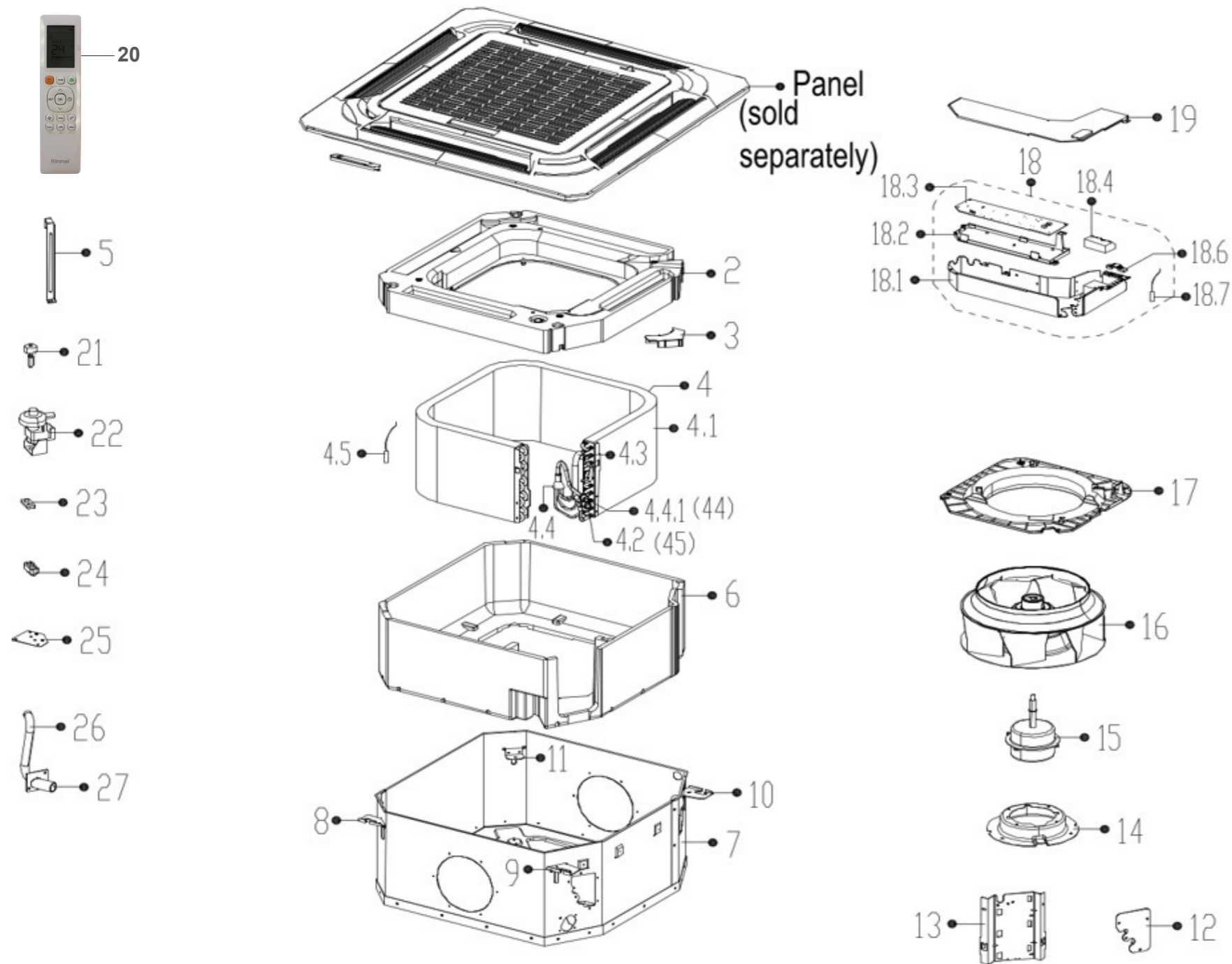
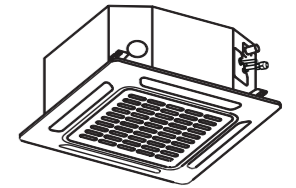


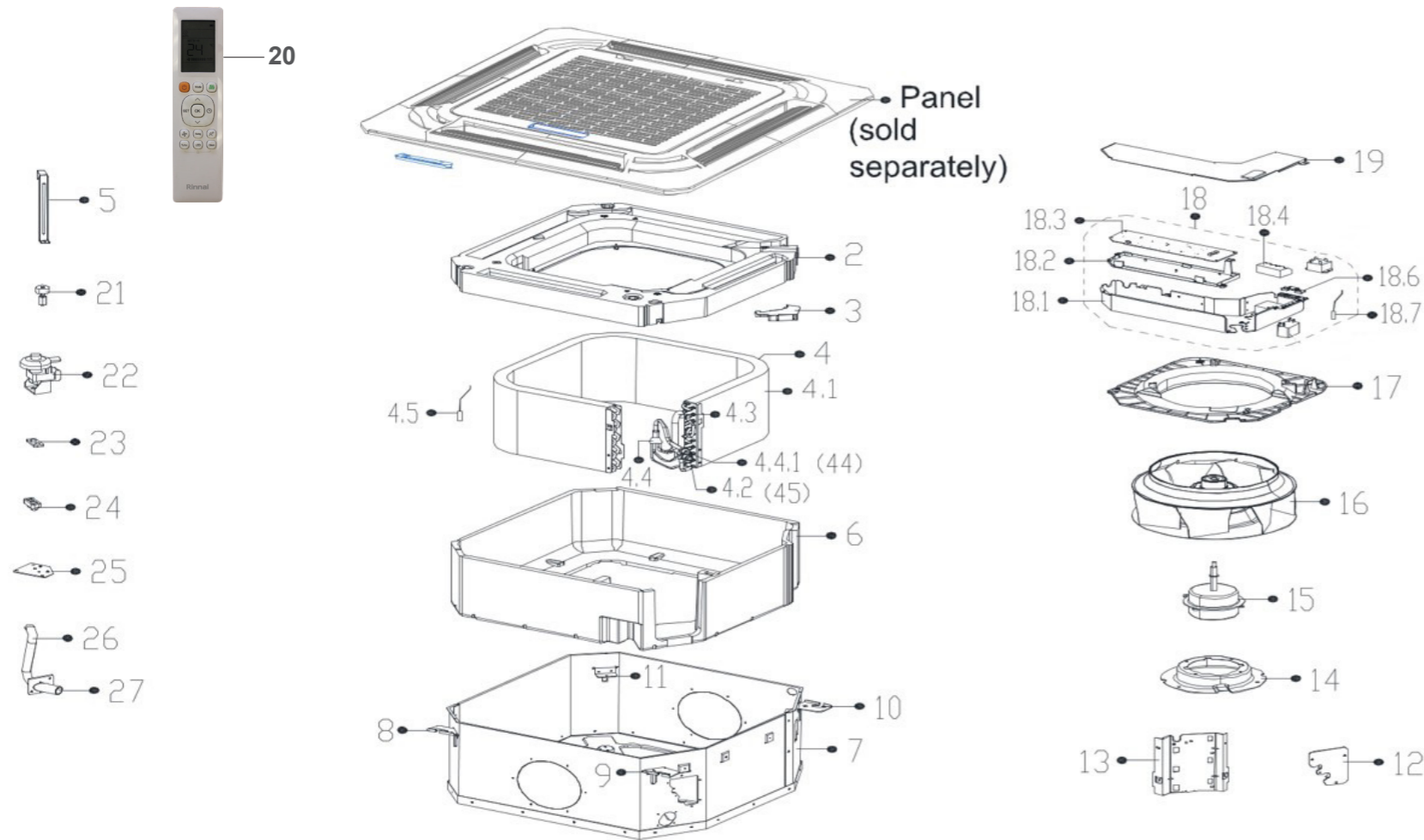
This diagram is provided to assist you to identify parts if replacement is necessary. Contact your place of purchase or the manufacturer to enquire about parts, availability and/or service.



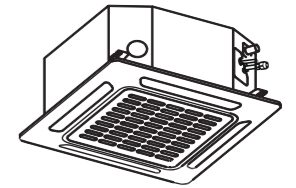
Ref.	Description	Part No.
2	Water collector assembly	
3	Wire box	
4	Evaporator assembly	
4.1	Evaporator	
4.3	Evaporator outlet pipe sub-assembly	
4.4	Evaporator inlet pipe sub-assembly	
4.5	Pipe temperature sensor	14158
5	Evaporator fixing hanger	
6	Base foam sub-assembly	
7	Chassis assembly	
8	Hook	
9	Hook	
10	Hook	
11	Hook	
12	Pipe fixing board sub-assembly	
13	Evaporator connecting board	
14	Motor mounting seat assembly	
15	Brushless DC motor	14148
16	Centrifuge fan	14166
17	Ventilation ring	
18	Electronic control box subassembly	
18.1	Electronic control box	
18.2	Insulation plate	
18.3	Main control board sub-assembly	14172
18.4	Wire joint	
18.6	Wire clamp	
18.7	Room temperature sensor	14157
19	Electrical control box cover sub-assembly	
20	Remote controller	14111
21	Water level sensor	14181
22	Induction pump	14147
23	Drain pump rubber washer	
24	Drain pump rubber washer	
25	Drain pump installation base	
26	Rubber tube	
27	Drain pipe	
44	Copper nut	
45	Copper nut	



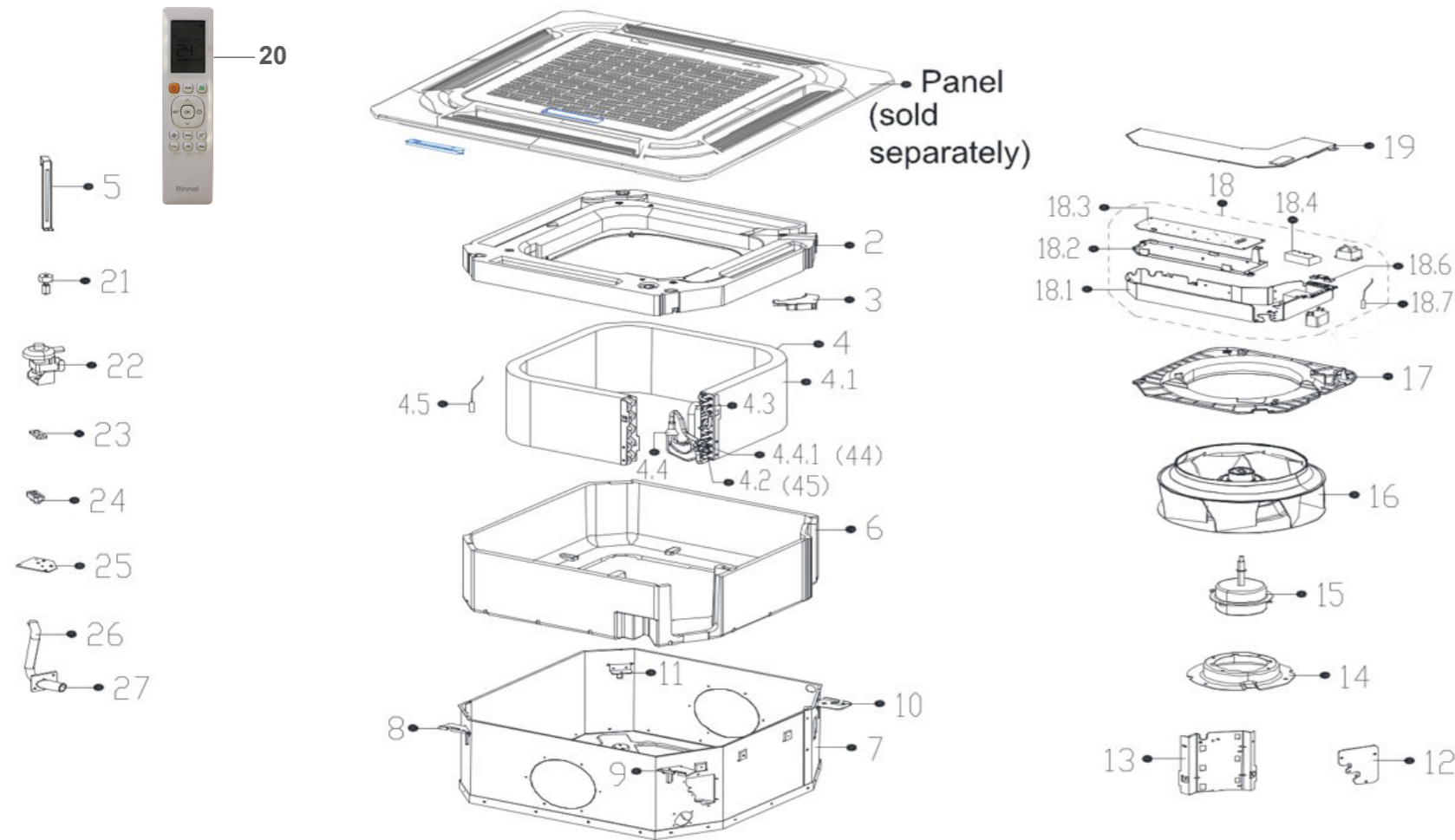
This diagram is provided to assist you to identify parts if replacement is necessary. Contact your place of purchase or the manufacturer to enquire about parts, availability and/or service.



Ref.	Description	Part No.
2	Water collector assembly	
3	Wire box	
4	Evaporator assembly	
4.1	Evaporator	
4.3	Evaporator outlet pipe sub-assembly	
4.4	Evaporator inlet pipe sub-assembly	
4.5	Pipe temperature sensor	14158
5	Evaporator fixing hanger	
6	Base foam sub-assembly	
7	Chassis assembly	
8	Hook	
9	Hook	
10	Hook	
11	Hook	
12	Pipe fixing board sub-assembly	
13	Evaporator connecting board	
14	Motor mounting seat assembly	
15	Brushless DC motor	14148
16	Centrifuge fan	14166
17	Ventilation ring	
18	Electronic control box subassembly	
18.1	Electronic control box	
18.2	Insulation plate	
18.3	Main control board sub-assembly	14171
18.4	Wire joint	
18.6	Wire clamp	
18.7	Room temperature sensor	14157
19	Electrical control box cover sub-assembly	
20	Remote controller	14111
21	Water level sensor	14181
22	Induction pump	14147
23	Drain pump rubber washer	
24	Drain pump rubber washer	
25	Drain pump installation base	
26	Rubber tube	
27	Drain pipe	
44	Copper nut	
45	Copper nut	



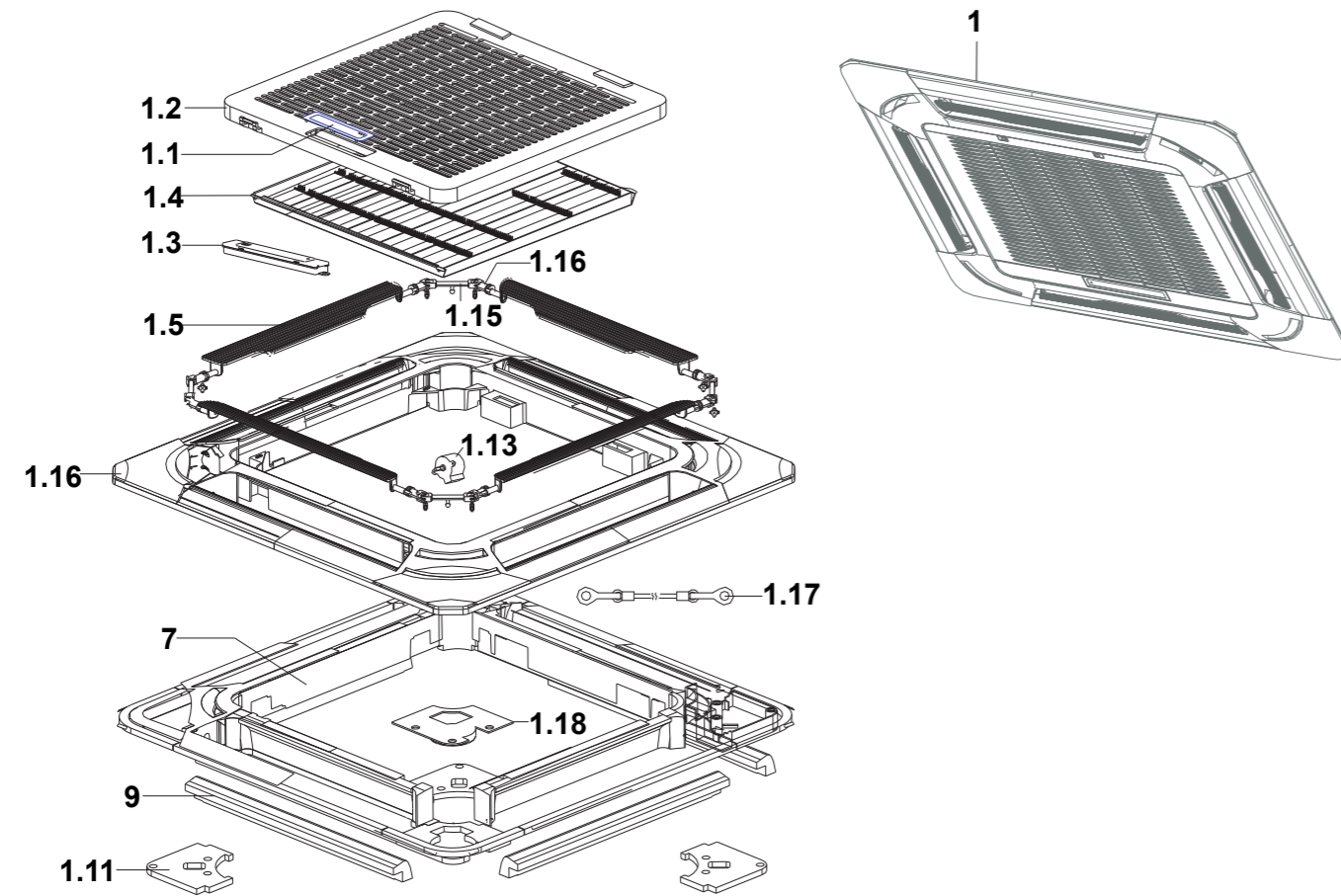
This diagram is provided to assist you to identify parts if replacement is necessary. Contact your place of purchase or the manufacturer to enquire about parts, availability and/or service.



Ref.	Description	Part No.
2	Water collector assembly	
3	Wire box	
4	Evaporator assembly	
4.1	Evaporator	
4.3	Evaporator outlet pipe sub-assembly	
4.4	Evaporator inlet pipe sub-assembly	
4.5	Pipe temperature sensor	14158
5	Evaporator fixing hanger	
6	Base foam sub-assembly	
7	Chassis assembly	
8	Hook	
9	Hook	
10	Hook	
11	Hook	
12	Pipe fixing board sub-assembly	
13	Evaporator connecting board	
14	Motor mounting seat assembly	
15	Brushless DC motor	14148
16	Centrifuge fan	14166
17	Ventilation ring	
18	Electronic control box subassembly	
18.1	Electronic control box	
18.2	Insulation plate	
18.3	Main control board sub-assembly	14170
18.4	Wire joint	
18.6	Wire clamp	
18.7	Room temperature sensor	14157
19	Electrical control box cover sub-assembly	
20	Remote controller	14111
21	Water level sensor	14181
22	Induction pump	14147
23	Drain pump rubber washer	
24	Drain pump rubber washer	
25	Drain pump installation base	
26	Rubber tube	
27	Drain pipe	
44	Copper nut	
45	Copper nut	

Pro Series multi room cassette indoor front panel (CINFASM)

This diagram is provided to assist you to identify parts if replacement is necessary. Contact your place of purchase or the manufacturer to enquire about parts, availability and/or service.



Ref.	Description	Part No.
1	Panel assembly	
1.1	Display box assembly	
1.2	Air inlet grille	
1.3	Control box cover	
1.4	Filter	
1.5	Horizontal louvre	
1.6	Panel frame	
1.8	Cover for fan motor installation	
1.11	Cover	
1.12	Air inlet grille clamp	
1.13	Stepper motor	
1.15	Transmission shaft	
1.16	Bearing base	
1.17	Hook	