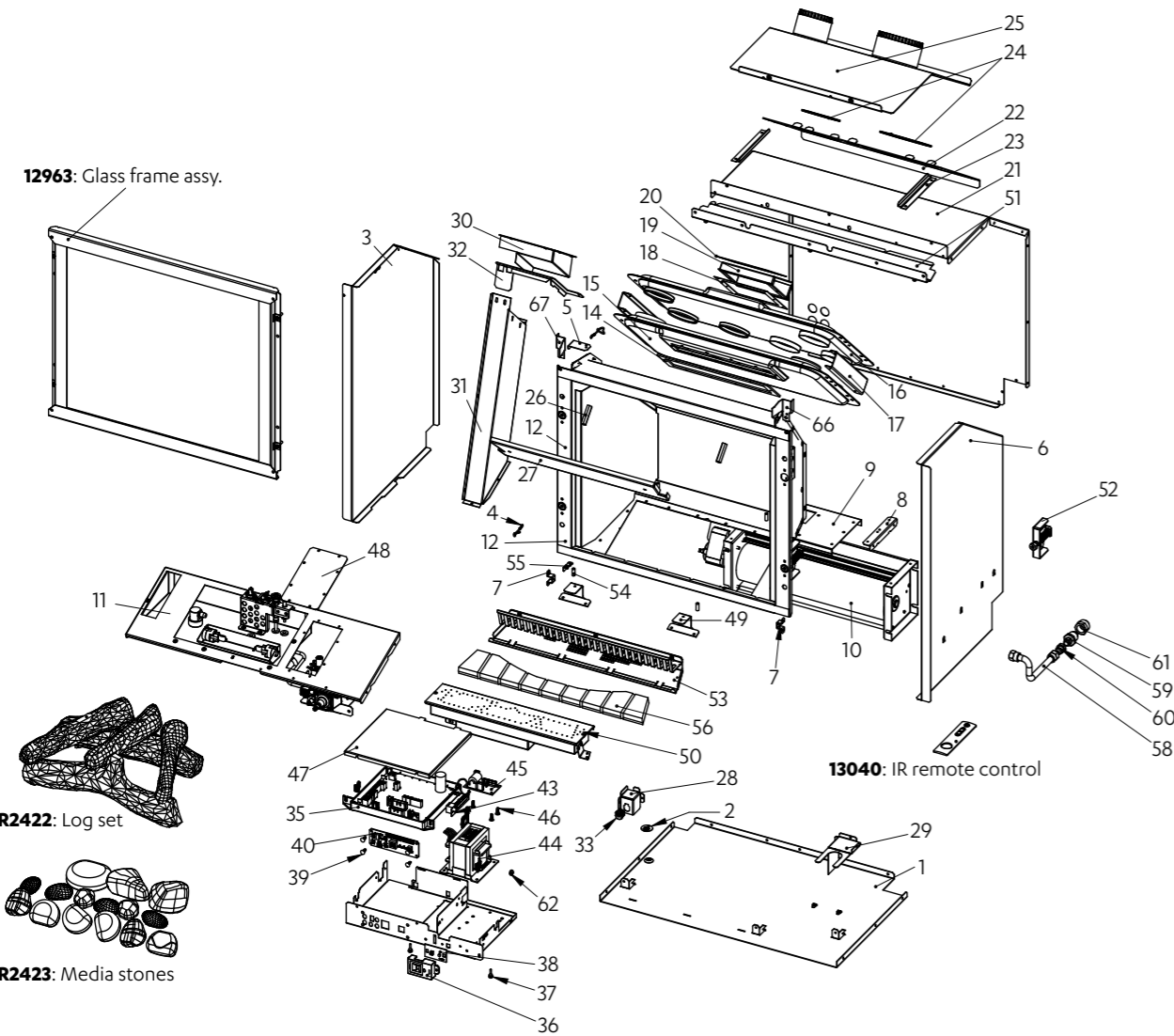


# Ember 600 gas fireplace

This diagram is provided to assist you to identify parts if replacement is necessary. Contact your place of purchase or the manufacturer to enquire about parts, availability and/or service.



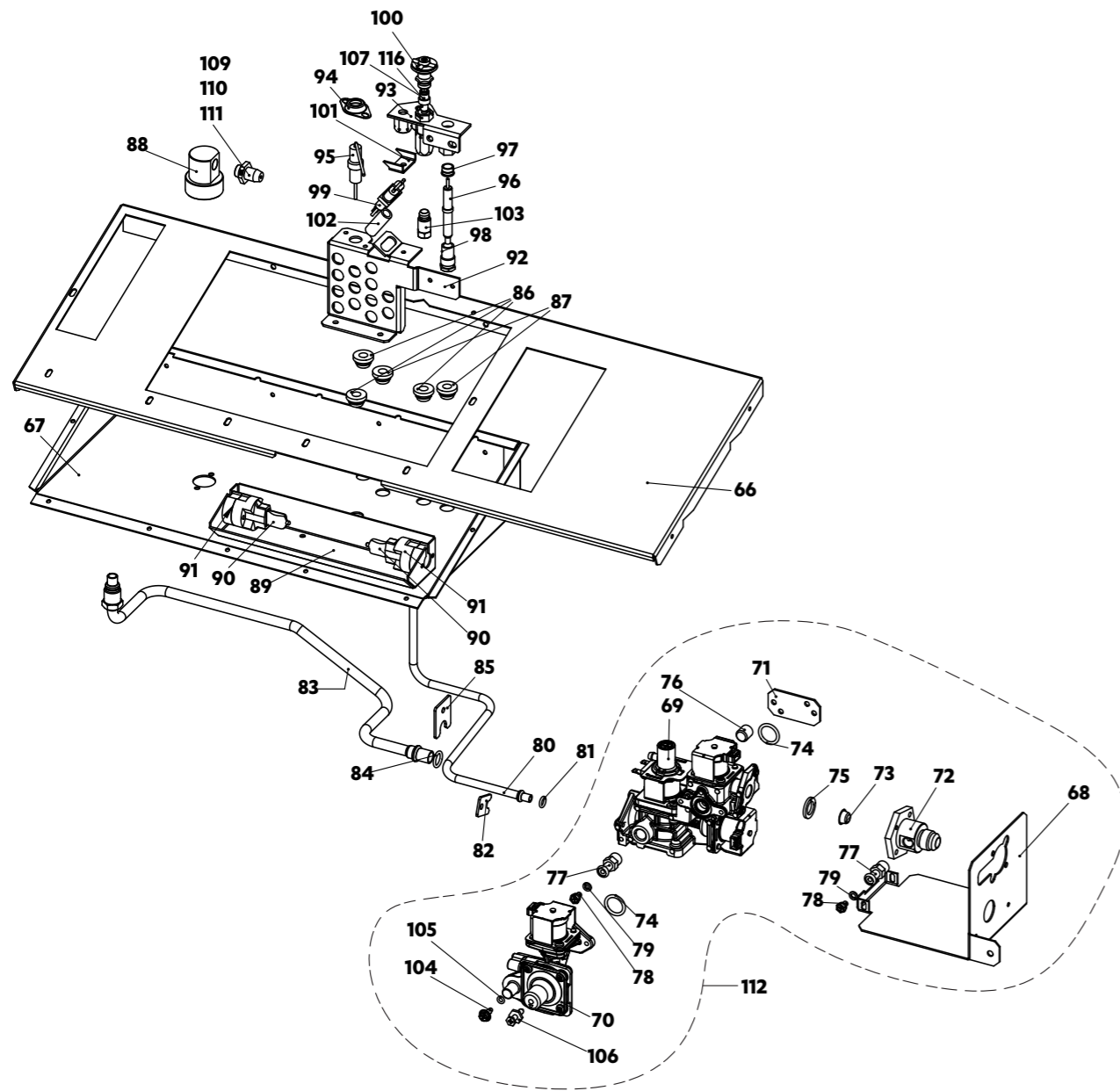
**Please note:** When ordering the convection fan as a spare, it will come with a gasket.

Ref.	Description	Qty.	Part No.
1	Panel bottom	1	12846
2	Tag earth symbol	1	11269
3	Panel side LH	1	12801
4	Wire tie 80 mm	5	4417
5	Thermal bracket	1	12938
6	Panel side RH	1	12802
7	Fascia install bracket	2	12858
8	Fan mounting bracket	1	12809
9	Bracket fan	1	12960
10	Fan TGA (convection fan)	1	12962
11	Gas control assembly	1	refer p. 2
12	Combustion chamber painted	1	12849F
13	CC spring bracket	4	12818
14	Gasket heat exchanger rectangle	1	10925
15	Heat exchanger front	1	10890
16	Heat exchanger rear	1	10891
17	Heat exchanger bracket	1	11560
18	Gasket heat exchanger square	1	10926
19	Flue transition assembly	1	12821
20	Gas adaptor square	1	12909
21	Rear panel	1	12847
22	Flue mounting plate	1	12807
23	Guide flue adaptor	1	10469
24	Glass seal tape 2 m replacement kit	1	R7010
25	Flue spigot adaptor assembly	1	12808
26	Combustion top spacer	1	11551
27	Combustion heat shield top black	1	12850F
28	Electronic inlet cover bracket	1	12857
29	Gas inlet cover bracket	1	12860
30	Air inlet horizontal	1	12803
31	Air inlet vertical	1	12804
32	Overheat thermistor bracket	1	12940
33	Power cord holder	1	7845
35	PCB main	1	12966
36	PCB case receiver	1	10394

Ref.	Description	Qty.	Part No.
37	Self fix bumper 25-TNF 10/2	2	11304
38	PCB receiver	1	10393
39	PCB spacer 05-PCY06	1	10428
40	PCB display	1	10253
41	Protector plastic edge EHS11U	3	1880
42	Protector plastic edge EHS18U	2	10471
43	Interface board	1	12494
44	Transformer	1	10258
45	Igniter EI-2018	1	13006
46	PCB spacer	4	9004
47	PCB box lid	1	12929
48	Service panel	1	12935
49	Log support rear	2	12912F
50	Burner assembly black	1	12853F
51	Air guide top black	1	12851B
52	Explosion relief assembly	4	11662
53	Stone grill	1	12911F
54	Spacer M5X16 CF-516ZE	4	9086
55	Room thermistor bracket	1	12916
56	Ceramic panel front	1	12907
-	Glass frame assembly	1	12963
58	Flextube 3/8 x 8 c/w 5/8-18 nuts	1	7835
59	Adaptor 1/2 BSP 3/8 SAE flare	1	11944
60	Brass plug 3/8 SAE flare	1	11948
61	Nut 1/2 compression	1	5064
62	Rubber grommet IMG010	1	6749
-	IR remote control	1	13040
-	Media stones	1	R2423
-	Log set	1	R2422
66	Fascia top air diverter RH	1	12992B
67	Fascia top air diverter LH	1	12991B
-	Electronic box universal control	1	12811

# Ember 600 gas fireplace

This diagram is provided to assist you to identify parts if replacement is necessary. Contact your place of purchase or the manufacturer to enquire about parts, availability and/or service.

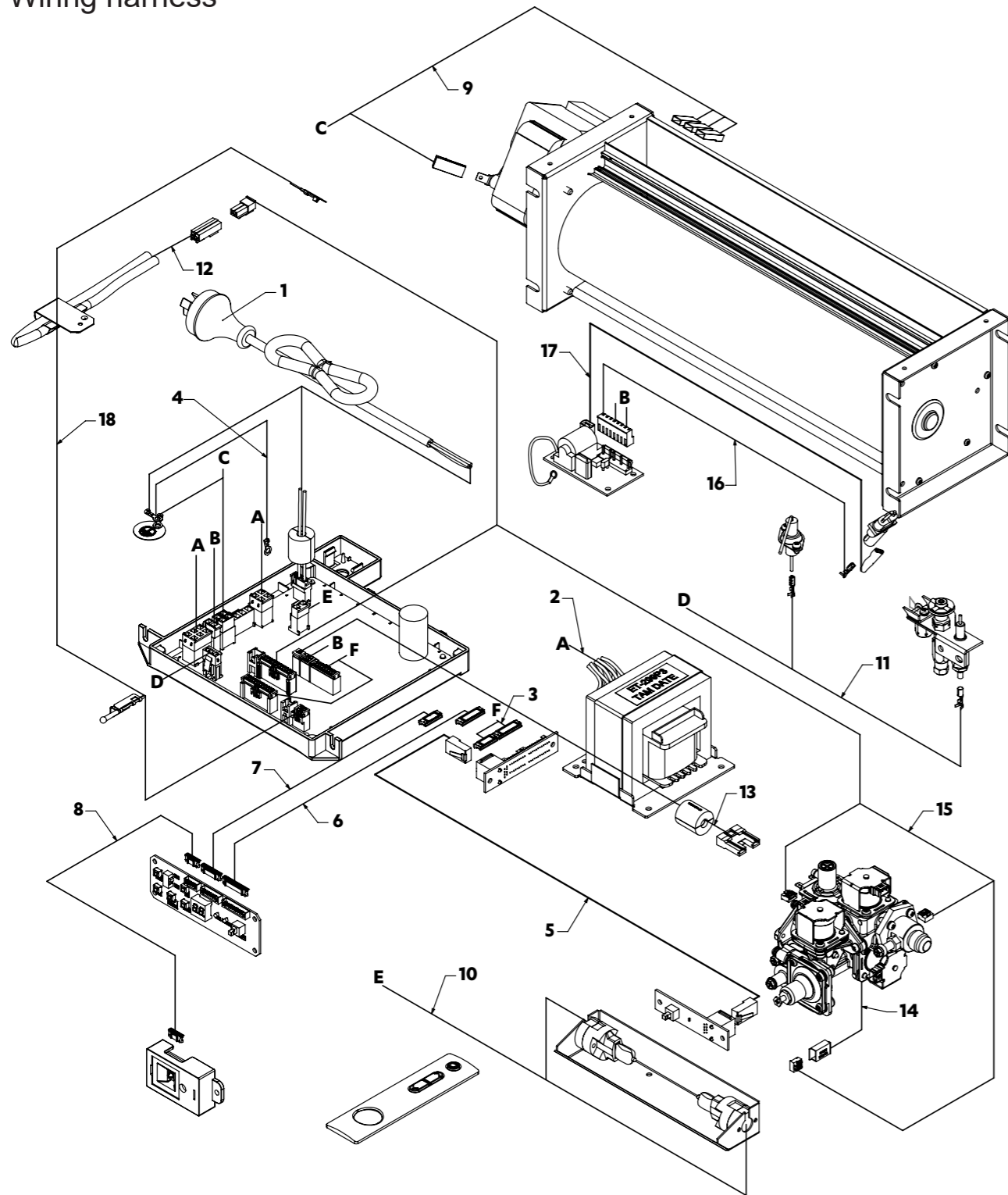


Ref.	Description	Qty.	Part No.	Ref.	Description	Qty.	Part No.
66	Burner support	1	12865	90	Halogen bulb 25 W G9	1	12899
67	Burner air inlet	1	12866	91	Lamp holder (Stuuchi G9-227)	2	12898
68	Mounting bracket	1	13026	92	Pilot bracket	1	12824
69	Gas valve main	1	13000	93	Pilot body top convertible	1	7870
70	Pilot regulator	1	13001	94	Flame rod bracket	1	3068
71	Cover plate	1	13003	95	Flame rod	1	12620
72	Gas inlet adaptor 3/8" flare	1	13015	96	Electrode	1	7875
73	Filter RCK-6808-2	1	13019	97	Spacer electrode pilot	1	7902
74	O-ring M10B-1-14	2	13020	98	Electrode nut ETR	1	7900
75	Packing	1	10290	99	Electrode double	1	10265
76	Plug dryseal pressure 1/8" BSP	1	6243	100	Pilot convertible hood 3-flame	1	10272
77	Pressure test point	2	9992	101	Electrode clamp universal control	1	13043
78	Test point screw	2	3564	102	Electrode sheath silicone PK2	1	12931
79	O-ring M10-13-4	2	2239	103	Olive 6 mm	1	7519
80	Gas supply tube pilot	1	12828	104	Test point screw C10D-5-1	1	3564
81	O-ring M10B-1-6	1	6308	105	O-ring M10B-13-4	1	2239
82	Tube clamp 6 mm	1	13028	106	Adjustment screw c/w nut RR83	1	6700
83	Gas supply tube main	1	12827	107	Injector pilot LPG 35	1	7873
84	O-ring M10-1-10	1	2389	109	Injector 1.40 single port	1	12507
85	Tube clamp 10	1	13029	110	Injector 2.30 single port	1	12730
86	Grommet silicone Ø4 hole	3	10293	111	Injector pilot NG 62	1	7795
87	Grommet silicone 2 Ø1.8 hole	2	10294	112	Gas control assembly	1	13047
88	Injector block	1	12838				
89	Lamp holder mounting bracket	1	12897				

# Ember 600 gas fireplace

This diagram is provided to assist you to identify parts if replacement is necessary. Contact your place of purchase or the manufacturer to enquire about parts, availability and/or service.

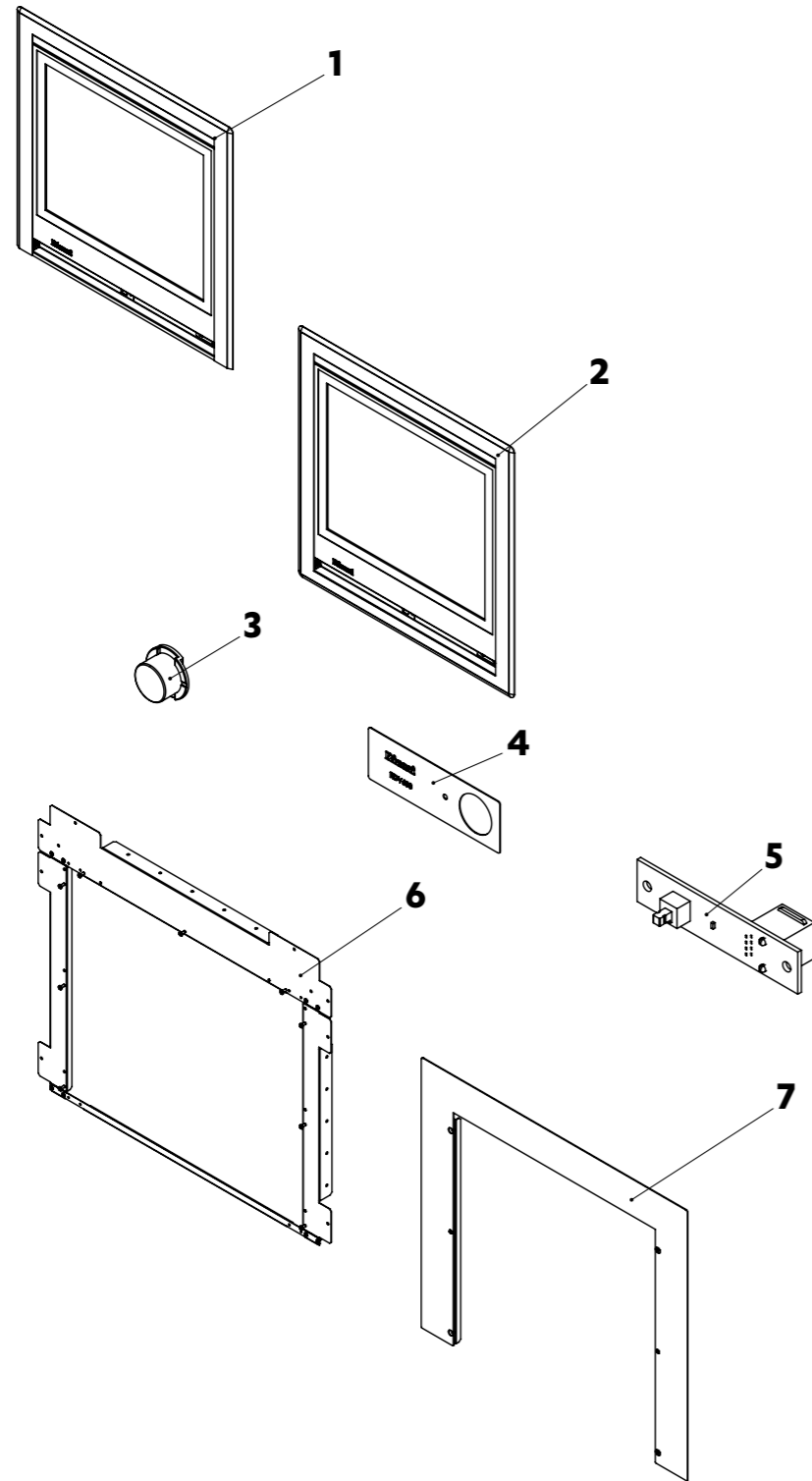
## Wiring harness



Ref.	Description	Part No.
1	Power cord universal control black	13042
2	Transformer	10258
3	Harness control panel	10284
4	Wire earth combustion fan	10387
5	Cable CAT5 x 500 mm	10631
6	Harness 12-way control panel R95	12492
7	Harness 9-way control panel R95	12496
8	Harness receiver	12656
9	Harness fan	12839
10	Harness halogen R67	12998
11	Harness FR	13008
12	Harness thermal fuse RHF265-1014 x01	13011
13	Harness POV universal control	13012
14	Harness magnetic valve relay	13013
15	Harness main gas control	13014
16	Harness ignition	13031
17	High tension lead	13032
18	Harness thermistor universal control	13034

# Rinnai | Ember 600 gas fireplace

This diagram is provided to assist you to identify parts if replacement is necessary. Contact your place of purchase or the manufacturer to enquire about parts, availability and/or service.



Ref.	Description	Qty.	Part No.
1	Ember 600 3-sided black frame	1	R2410
1	Ember 600 3-sided titanium frame	1	R2412
2	Ember 600 4-sided black frame	1	R2413
2	Ember 600 4-sided titanium frame	1	R2415
3	Button	1	10250
4	Control label	1	12844
5	Switch main control	1	12999
6	Zero clearance frame Ember	1	R2450
7	Infill panel Ember 600	1	R2453
	<b>Not drawn</b>		
-	Granules	2	2544
-	Crushed glass 100 g	1	12967
-	Rockwool 2 g	1	12968