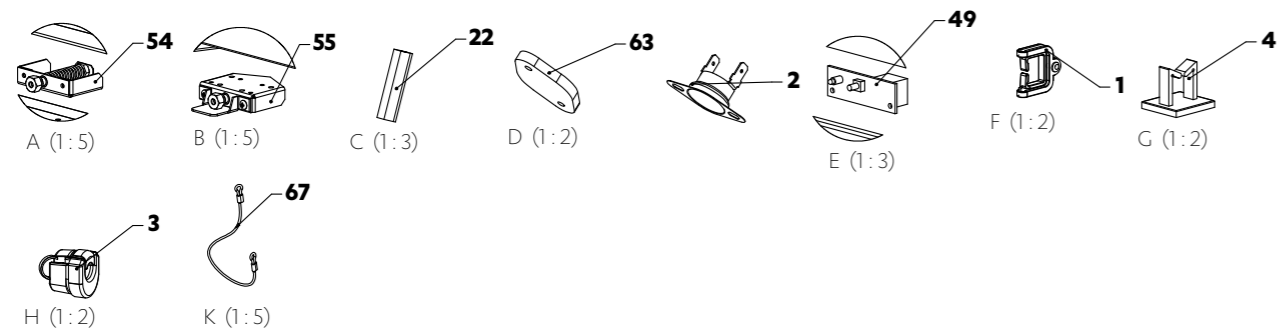
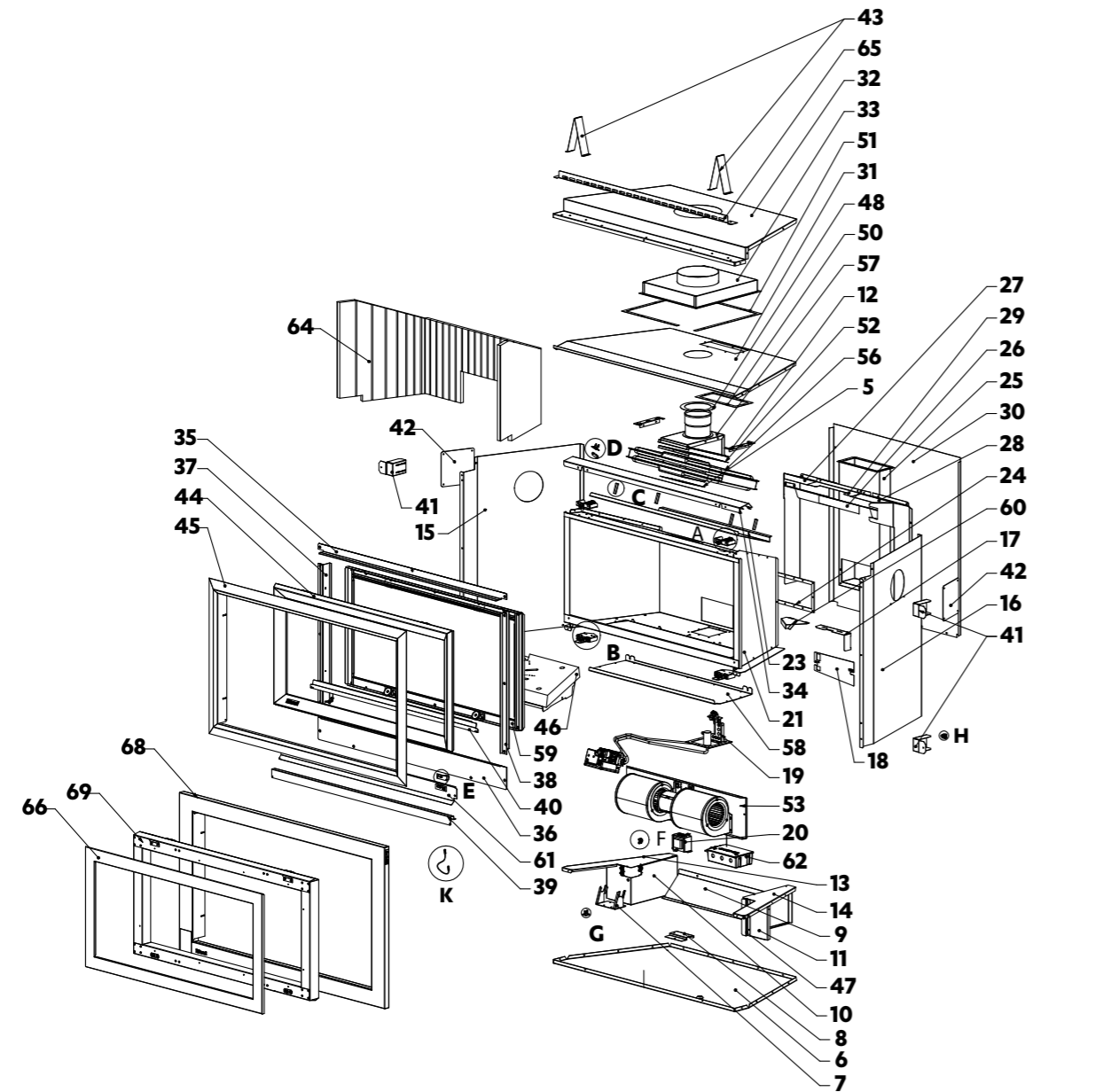


This diagram is provided to assist you to identify parts if replacement is necessary. Contact your place of purchase or the manufacturer to enquire about parts, availability and/or service.



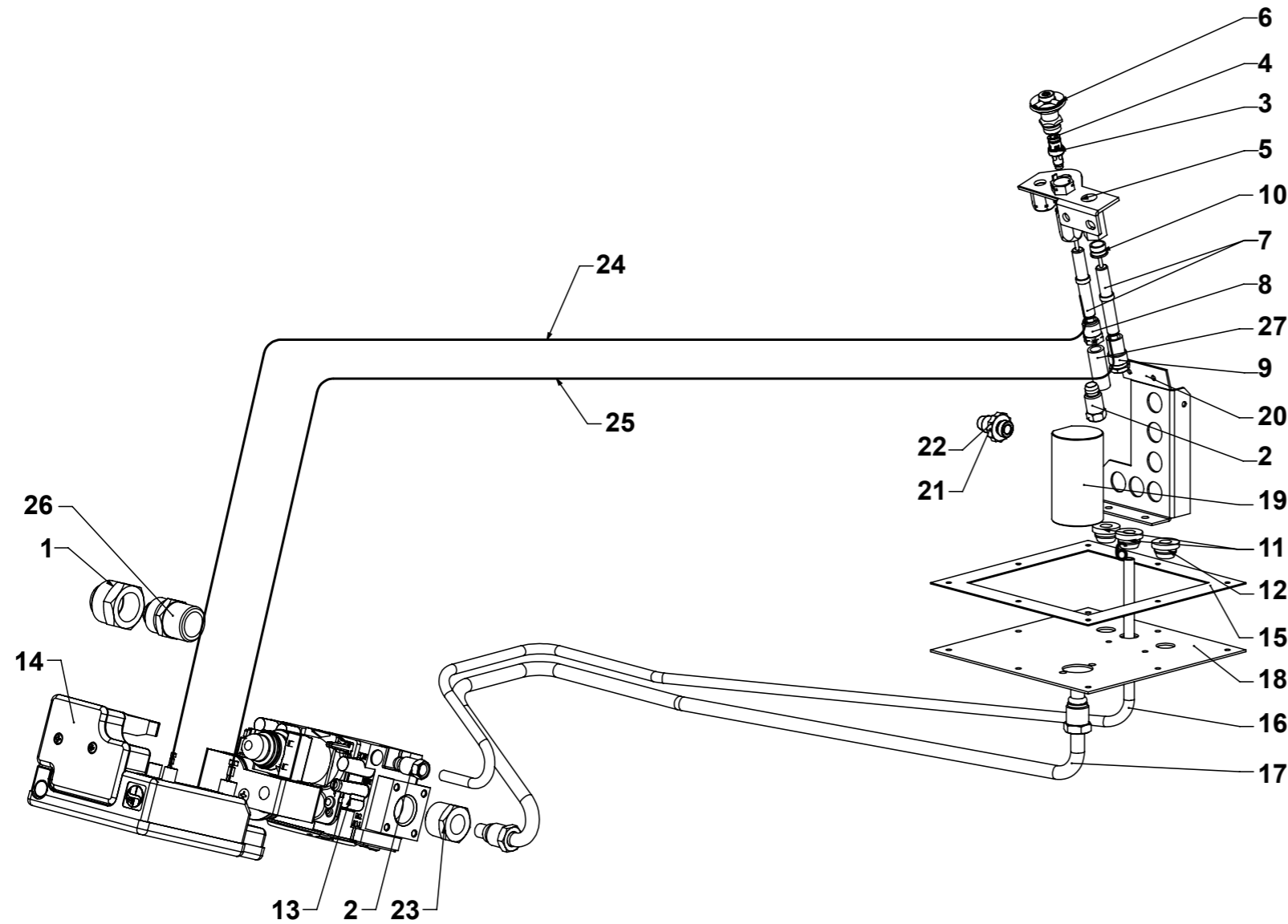
Ref.	Description	Part No.	Qty.
1	Plastic edge protector	1880	4
2	Overheat switch 150 °C	2506	1
3	Power cord holder	7845	1
4	Cable clip	10309	3
5	Gasket heat exchanger - square	10926	1
6	Panel bottom	11500	1
7	Gas control bracket SIT	11501	1
8	Transformer bracket	11503	1
9	Air guide bottom	11505	1
10	Fan bracket LH assembly	11506	1
11	Fan bracket RH	11507	1
12	Discharge hood bracket	11509	2
13	Combustion chamber side support LH	11510	1
14	Combustion chamber side support RH	11511	1
15	Panel side LH	11512	1
16	Panel side RH	11513	1
17	Pilot cover	11514	1
18	Flue restrictor	11516	1
19	Refer gas control spares on next page	-	-
20	Transformer	11538	1
21	Combustion chamber assembly	11550	1
22	Combustion chamber top spacer	11551	4
23	Heat deflector top - black	11552F	1
24	Air duct outlet gasket	11554	1
25	Air duct assembly	11555	1
26	Heat exchanger air guide	11556	1
27	Air guide side LH	11557	1
28	Air guide side RH	11558	1
29	Air guide center	11559	1
30	Panel rear	11561	1
31	Air guide top	11563	1
32	Panel top	11564	1
33	Air intake top assembly	11565	1
34	Relief spring cover - black	11572F	1
35	Frame top - black	11737B	1
36	Frame bottom - black	11576B	1
37	Frame side LH - black	11577B	1
38	Frame side RH - black	11578B	1
39	Service panel front - galaxy	11580GL	1
40	Burner cover bracket - black	11581F	1
41	Mounting bracket	11582	4
42	Cover plate	11583	2
43	Spacer bracket top	11584	2
44	Inner frame galaxy (R3601GL)	13621GL	1

Ref.	Description	Part No.	Qty.
44	Inner frame satin chrome (R3601SC)	13621SC	1
45	Outer frame galaxy (R3601GL)	13622GL	1
45	Outer frame satin chrome (R3601SC)	13622SC	1
46	Burner assembly	11611	1
47	Fan support assembly	11624	1
48	Ceramic gasket	11625	1
49	Manual control switch RF	11628	1
50	Air duct inlet gasket	11631	1
51	Air duct inlet top gasket	11642	2
52	Flue discharge gasket	11644	1
53	Fan convection assembly	11661	1
54	Explosion relief top assembly	11662	2
55	Explosion relief bottom assembly	11663	2
56	Heat exchanger assembly	11664	1
57	Flue discharge and gasket	11665	1
58	Combustion chamber ACC cover assy.	11667	1
59	Glass and frame assembly	11668	1
60	Cover burner assembly	11669	1
61	Service panel rear assembly	11814	1
62	Control unit replacement RF	11671	1
63	Overheat switch insulation gasket	11980	1
64	Liners ceramic pinstripe	R3615	1
65	Panel top wall support	11536	1
66	Frame stainless steel flat (used in R3603)	13629	1
66	Frame galaxy black (used in R3602)	13628	1
67	Wire lanyard (for attaching frame)	12754	1
68	Frame outer flat galaxy black	13624	1
69	Frame inner flat spare satin black	13625	1

Not shown in exploded diagram

-	Log set	11600	1
-	Wiring harness	11595	1
-	Power cord - black	6765B	1
-	Cable CAT5 (500 mm IBOF)	10631	1
-	Harness overheat switch (IBOF)	10654	1
-	Harness over heat switch (RDV3610/11)	11594	1
-	Remote control replacement RF	11674	1
-	Dress guard	R3610GL	1

This diagram is provided to assist you to identify parts if replacement is necessary. Contact your place of purchase or the manufacturer to enquire about parts, availability and/or service.



Ref.	Description	Part No.	Qty.
1	Nut ½ compression	5064	1
2	Olive 6 mm	7519	2
3	Injector NG	7795	1
4	Injector LPG	7873	1
5	Pilot body top convertible	7870	1
6	Pilot convertible hood 2-flame	7871	1
7	Electrode	7875	2
8	Electrode Nut (SIT)	7876	1
9	Electrode Nut ETR	7900	1
10	Spacer electrode pilot	7902	1
11	Grommet silicone Ø4	10293	2
12	Grommet silicone 2Ø1.8	10294	1
13	Gas control sigma 845 SIT	10600	1
14	Ignition pack DBC 579 SIT (no re-ignition)	12760	1
15	Gasket heat exchanger square	10926	1
16	Pilot tube	11525	1
17	Main gas tube assembly	11527	1
18	Pilot base	11529	1
19	Injector block	11530	1
20	Pilot bracket	11531	1
21	Injector 3.0 NG	11532	1
22	Injector 1.60 LPG	11535	1
23	Pipe adaptor ½ " BSPT	11589	1
24	HT lead SIT control	11596	1
25	Sensor wire SIT	11598	1
26	Flare connection ½ " BSPT-½ "BSP	11633	1
-	Electrode sheath silicone PK2	12931	1