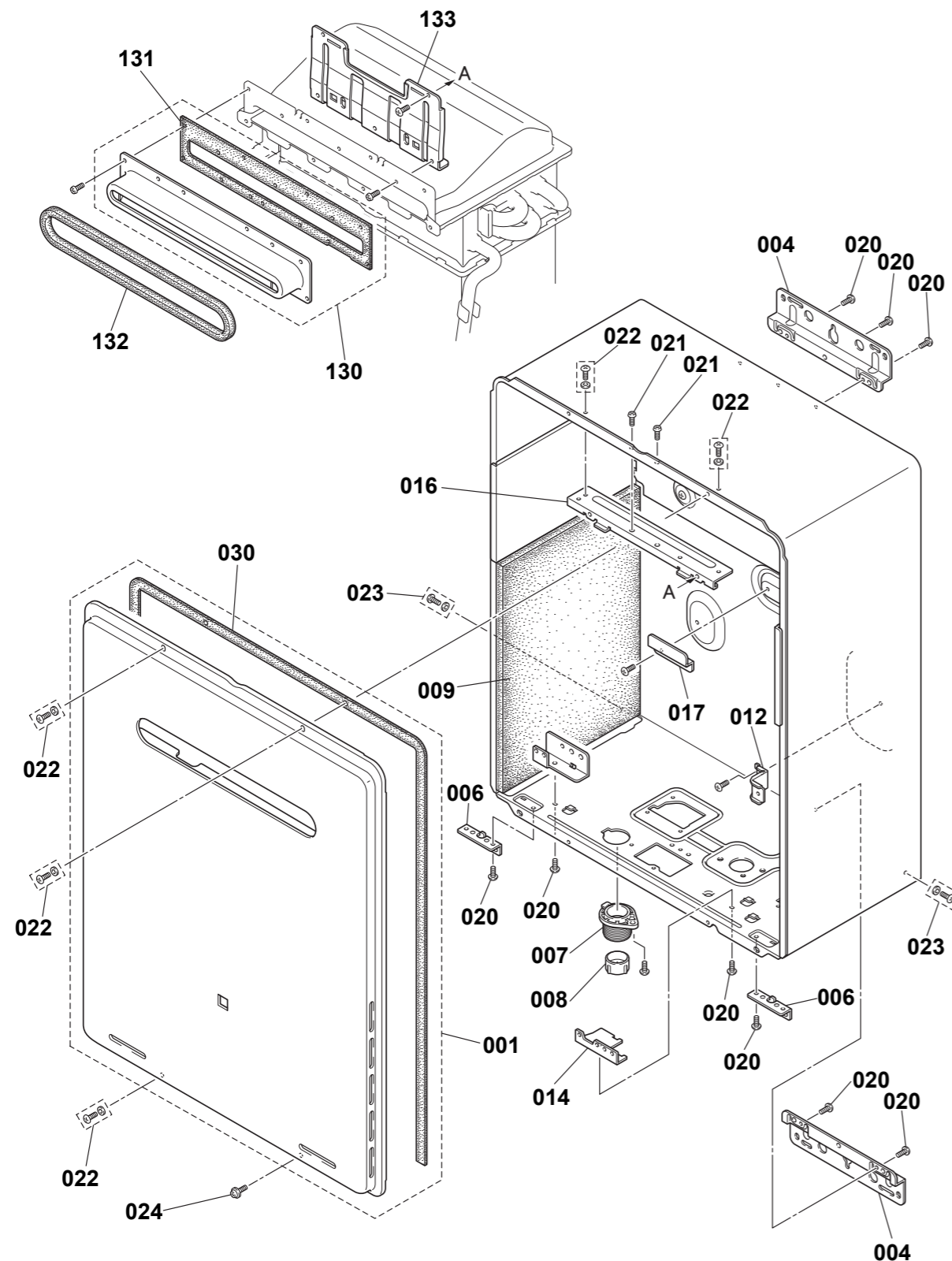
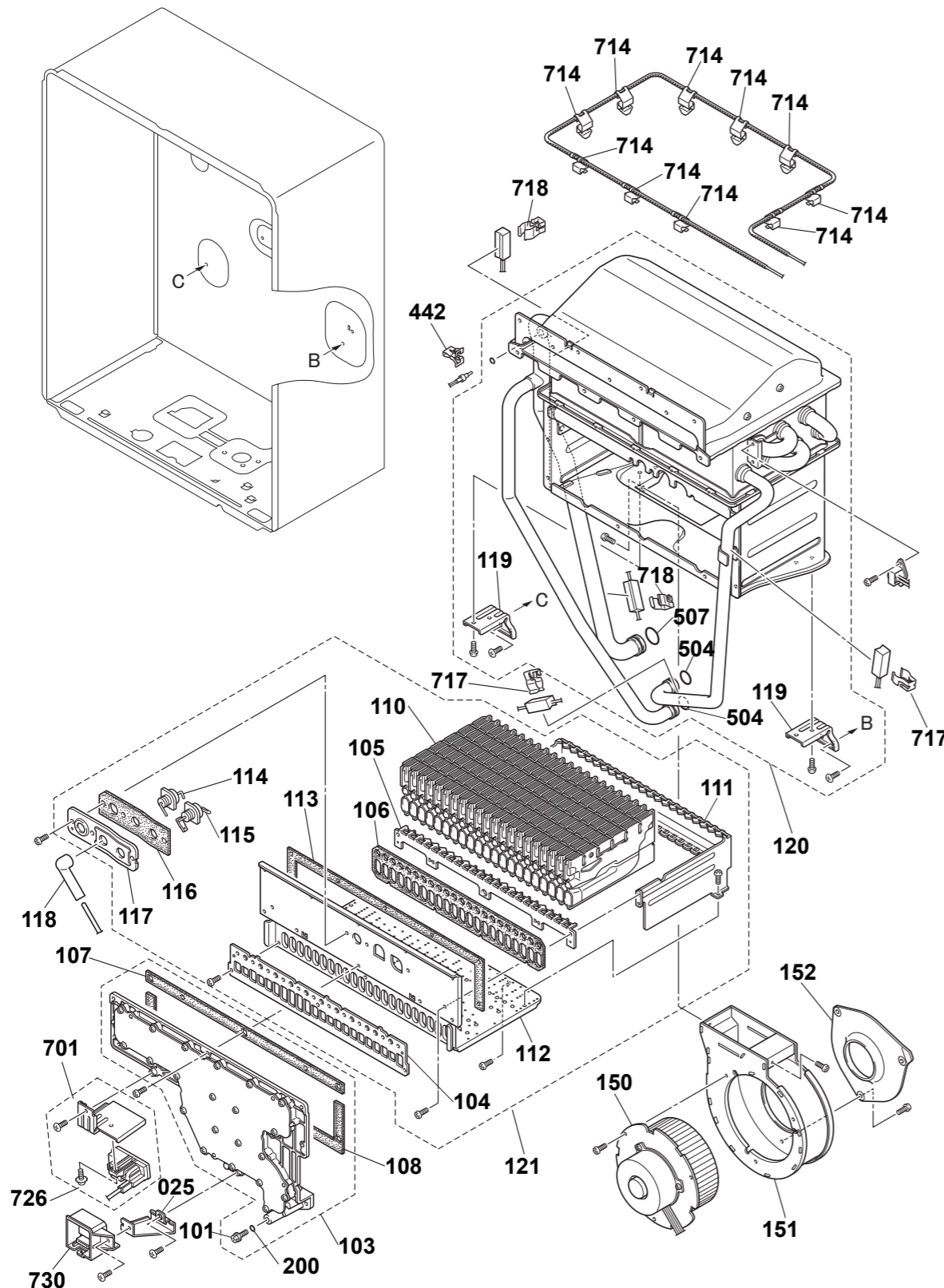


This diagram is provided to assist you to identify parts if replacement is necessary. Contact your place of purchase or the manufacturer to enquire about parts, availability and/or service.



Ref.	Description	Part No.
001	Front panel assembly	40550
004	Wall bracket x 2	3387
006	Lower bracket x 2	40551
007	Cable connection	40431
008	Cable seal packing x 2	3551
009	Noise absorber	40552
012	Bracket	40553
014	Cable bracket	40110
016	Top plate reinforcement	40554
017	Top plate reinforcement bracket	3303
020	Screw	40444
021	Screw	4767
022	Cover screw with plastic washer	40334
023	Case screw	40304
024	Earth screw INF	2897
030	Front panel gasket	40556
130	Flue spigot assembly	40578
131	Flue spigot sealing	40579
132	Flue termination gasket	40580
133	Flue termination bracket	40581

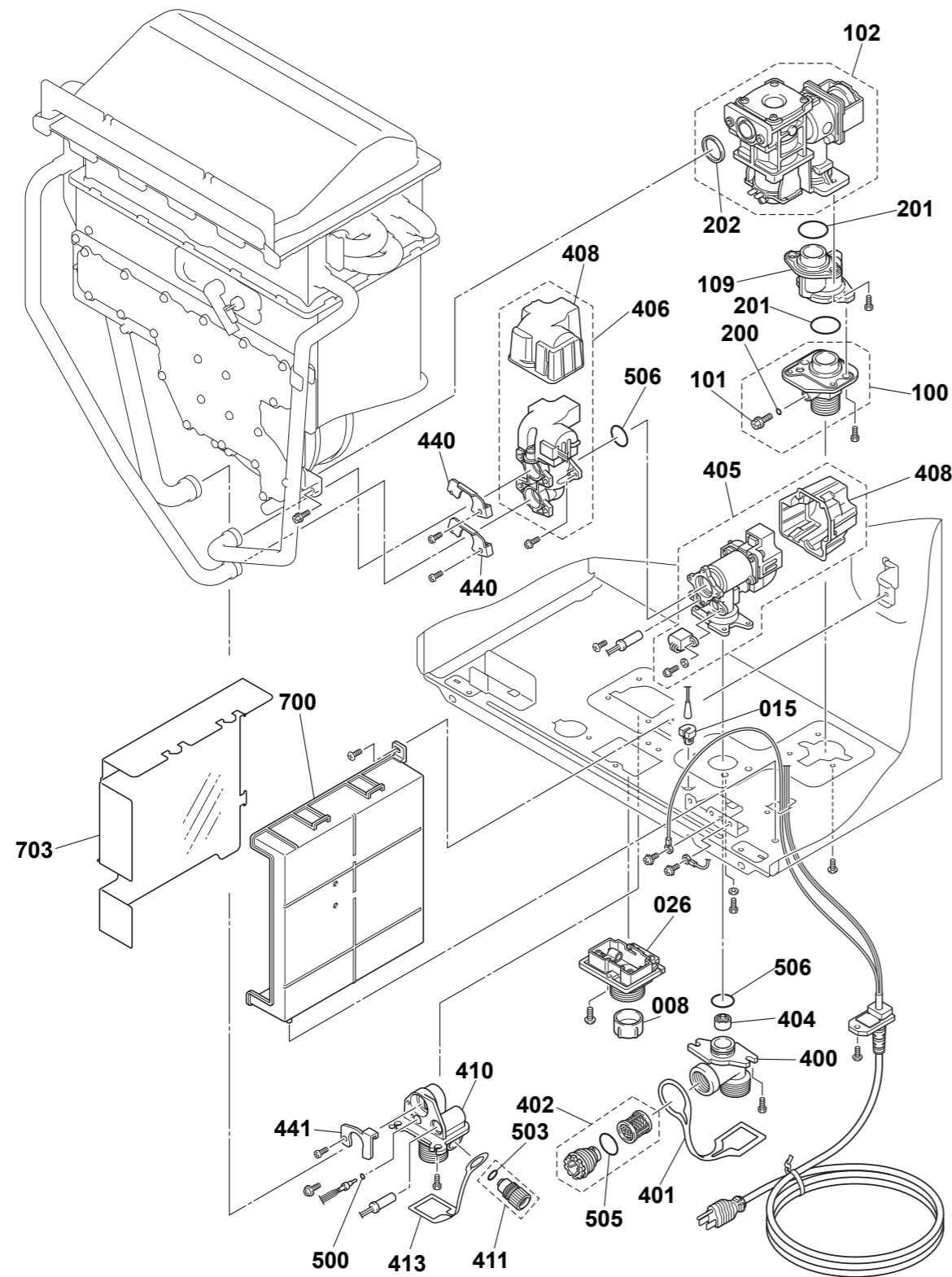
This diagram is provided to assist you to identify parts if replacement is necessary. Contact your place of purchase or the manufacturer to enquire about parts, availability and/or service.



Ref.	Description	Part No.
025	Status monitor bracket	40555
101	Pressure point seal screw	N/A
103	Manifold assembly LPG, includes: (101, 200, 107, 108)	40559
103	Manifold assembly NG, includes: (101, 200, 107, 108)	40560
104	Damper	40561
105	Burner support front	40562
106	Gasket burner case front	40563
107	Manifold gasket upper	40564
108	Manifold gasket lower	40565
110	Lean and rich burner assembly	40567
111	Burner case back plate	40568
112	Combustion chamber front plate (incl.113)	40569
113	Combustion chamber front plate gasket	40570
114	Electrode	40571
115	Flame rod electrode	40572
116	U electrode gasket	40573
117	U electrode bracket	40574
118	Electrode sleeve	3475
119	Combustion chamber support plate	40575
120	Heat exchanger assembly	40576
121	Burner unit assembly	40577
150	Fan motor assembly	40582
151	Fan case assembly	40583
152	Bell mouth	40584
200	O-ring M10B-13-4	40224
442	Antifrost heater clip	40589

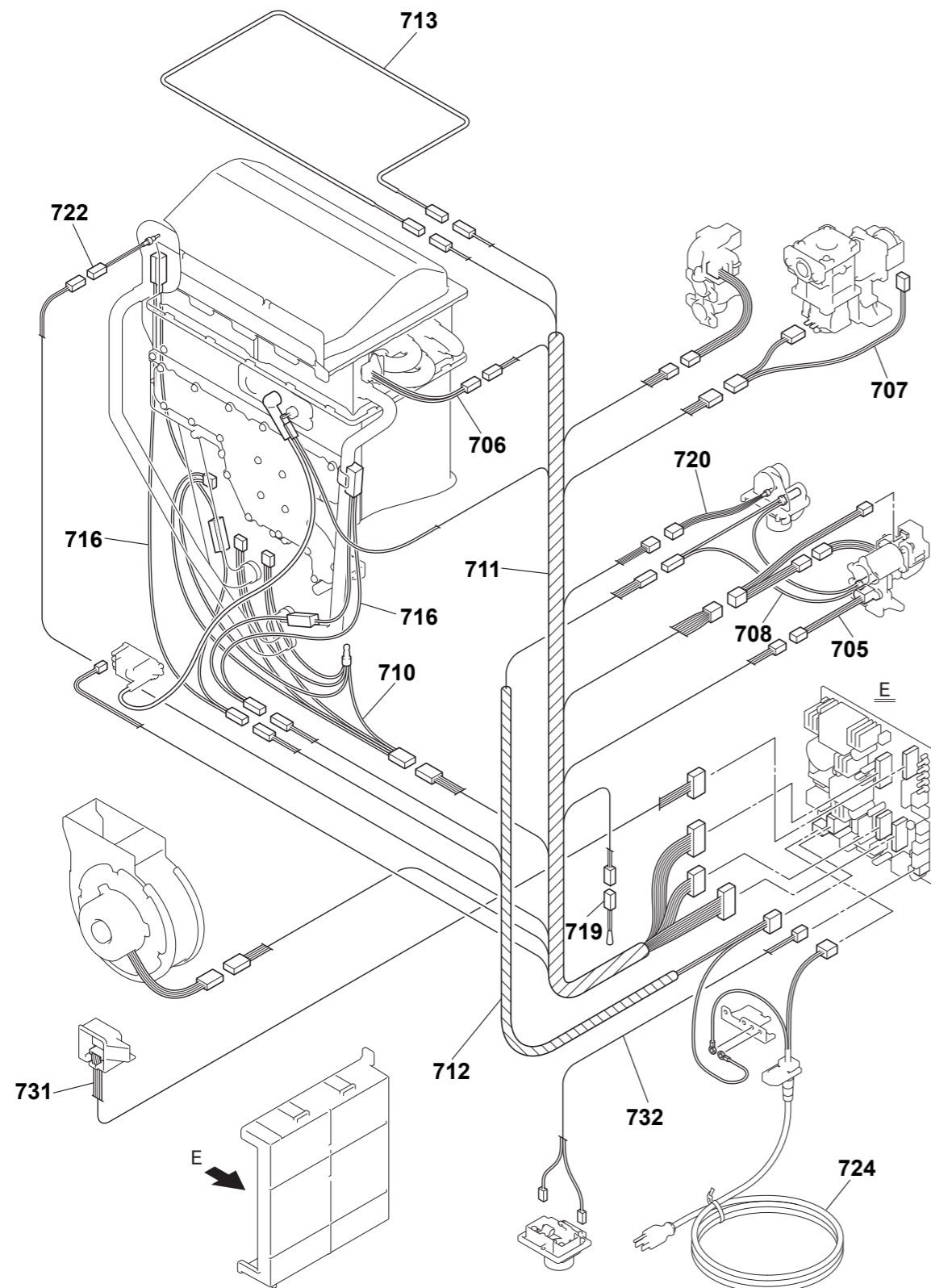
Ref.	Description	Part No.
504	O-ring M10B-2-14	3826
507	O-ring M10B-00018-018	40590
701	Igniter assembly	40592
714	Thermal fuse fixing plate	40190
717	Antifrost heater fixing plate (water supply)	2032
718	Antifrost heater fixing plate (water heater)	3536
726	Earth tapping screw	2896
730	Status monitor assembly	40600

This diagram is provided to assist you to identify parts if replacement is necessary. Contact your place of purchase or the manufacturer to enquire about parts, availability and/or service.



Ref.	Description	Part No.
008	Cable seal packing	3351
015	Thermistor packing	40109
026	Quick control connection	2877
100	Gas inlet connection (incl. 101, 200)	40557
101	Pressure point seal screw	N/A
102	Gas control assembly (incl. 202)	40558
109	Gas inlet connection 3/4	40566
200	O-ring M10B-13-4	40244
201	O-ring M10-1-24	3837
202	Gas control packing	5255
400	Water inlet 3/4	3484
401	Plug band inlet	2927
402	Incoming water filter	3839
404	Flow straightener	3487
405	Water flow servo and sensor assembly (incl. 408)	40585
406	Bypass servo assembly (incl.408)	40586
408	Water flow servo cover	40171
410	Hot water outlet 3/4	5706
411	Pressure relief valve	3491
413	Plug band	40587
440	Fixing bracket (for water supply)	40588
441	Stop bracket (for water heater)	3948
500	O-ring M10B-2-4	3832
503	O-ring M10B-2-7	1031
505	O-ring M10B-2-16	1244
506	O-ring M10B-2-18	3627
700	PCB assembly	40591
703	Circuit board cover	40593

This diagram is provided to assist you to identify parts if replacement is necessary. Contact your place of purchase or the manufacturer to enquire about parts, availability and/or service.



Ref.	Description	Part No.
705	MR sensor	5239
706	Overheat switch	40179
707	Gas control inlet harness	40594
708	Antifrost valve heater 2	40403
710	Switching valve harness	40595
711	Sensor harness	40596
712	Power harness	40597
713	Thermal fuse harness	40598
716	Antifrost heater assembly	40599
719	Thermistor	40193
720	Twin thermistor	40194
722	Thermistor	40440
724	Power cord INF	40195
731	Status monitor harness	40601
732	Remote controller harness	2891
-	Remote control lead (pre-wired mini plug) (1 is supplied with each unit—located with guides in a small plastic bag)	40293

