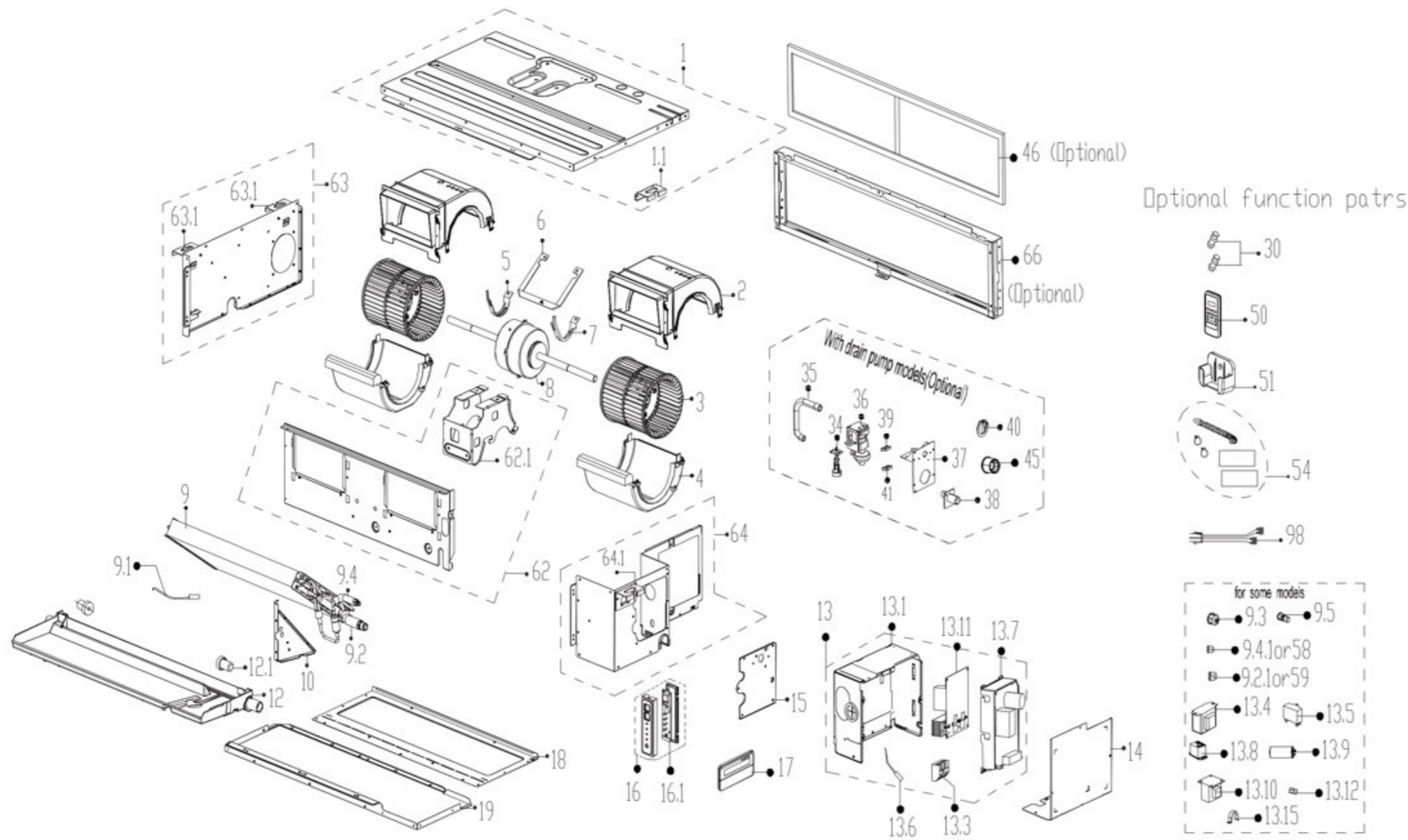


Pro Series Multi Room Slim Ducted Indoor (DINSD26MB)

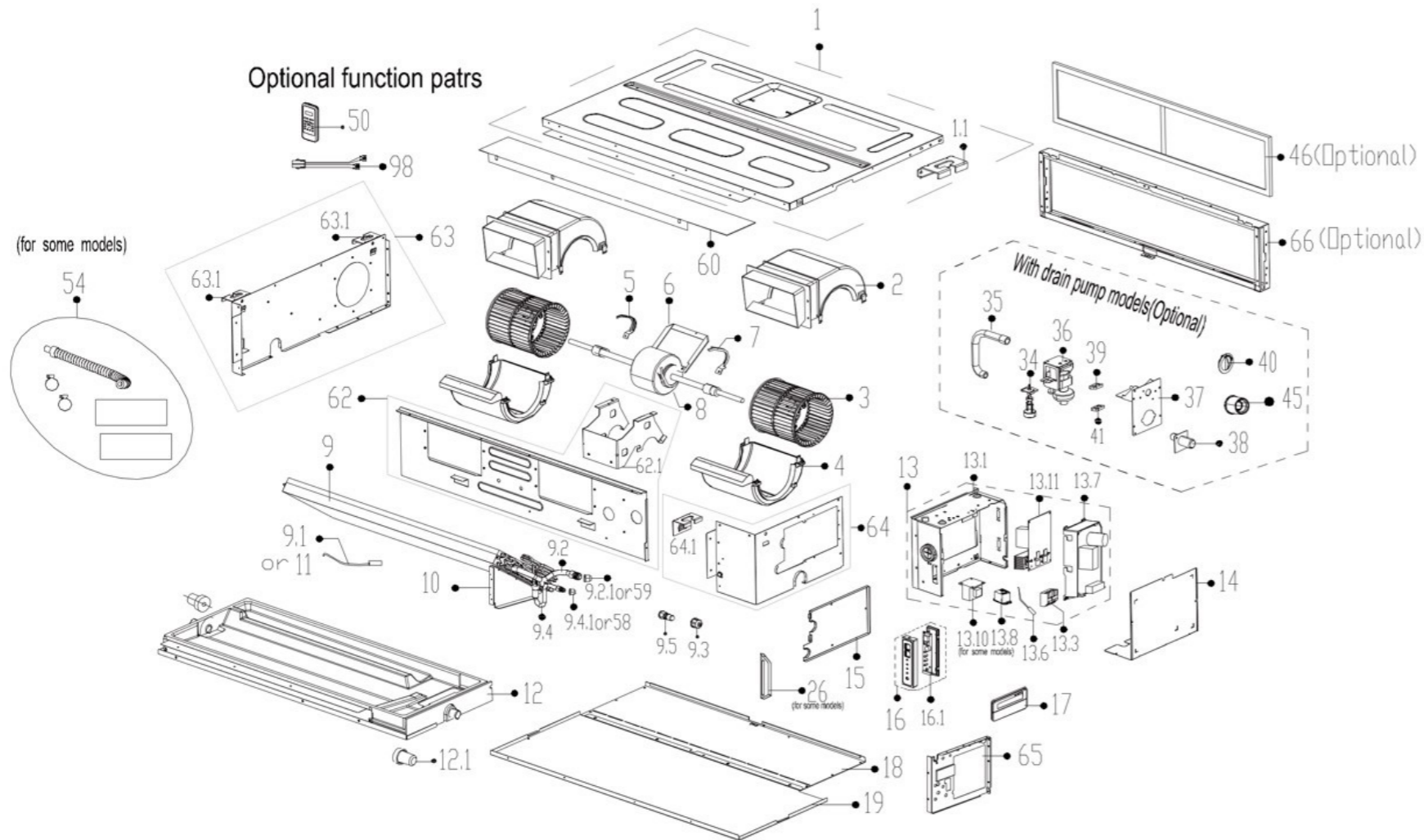
This diagram is provided to assist you to identify parts if replacement is necessary. Contact your place of purchase or the manufacturer to enquire about parts, availability and/or service.



Ref.	Description	Part No.
1	Chassis assembly	
1.1	Hook	
2	Top volute sub-assembly	
3	Centrifuge fan	
4	Lower volute sub-assembly	
5	Fan motor axes clamp (left)	
6	Fan motor fixing board	
7	Fan motor axes clamp (right)	

Ref.	Description	Part No.
8	Brushless DC motor	14152
9	Evaporator assembly	
9.1	Pipe temperature sensor	14158
9.2	Evaporator outlet pipe sub-assembly	
9.3	Pipe nut	
9.4	Evaporator inlet pipe sub-assembly	
9.5	Check valve	
10	Evaporator right support board sub-assembly	
12	Water collector	
12.1	Rubber plug	
13	Duct electronic control box sub-assembly	14179
13.1	Electronic control box	
13.3	Terminal	
13.6	Room temperature sensor	14157
13.7	Duct main control board sub-assembly	
13.10	Reactor	
13.11	Inverter module sub-assembly	
14	Electronic control box cover	
15	Pipe clamp board sub-assembly	
16	Duct display board sub-assembly	
16.1	Duct display board sub-assembly	
17	Wired controller	
18	Rear cover sub-assembly	
19	Top cover sub-assembly	
34	Water level sensor	14153
36	Induction pump	14147
38	Drain pipe	
39	Drain pump rubber washer	
41	Drain pump rubber washer	
46	Air filter	14185
54	Accessory kit	14184
58	Copper nut	
59	Copper nut	
62	Middle beam sub-assembly	
62.1	Fan motor support	
63	Left side plate assembly of cabinet	
63.1	Hook	
64	Right clapboard sub-assembly	
66	Right clapboard sub-assembly	

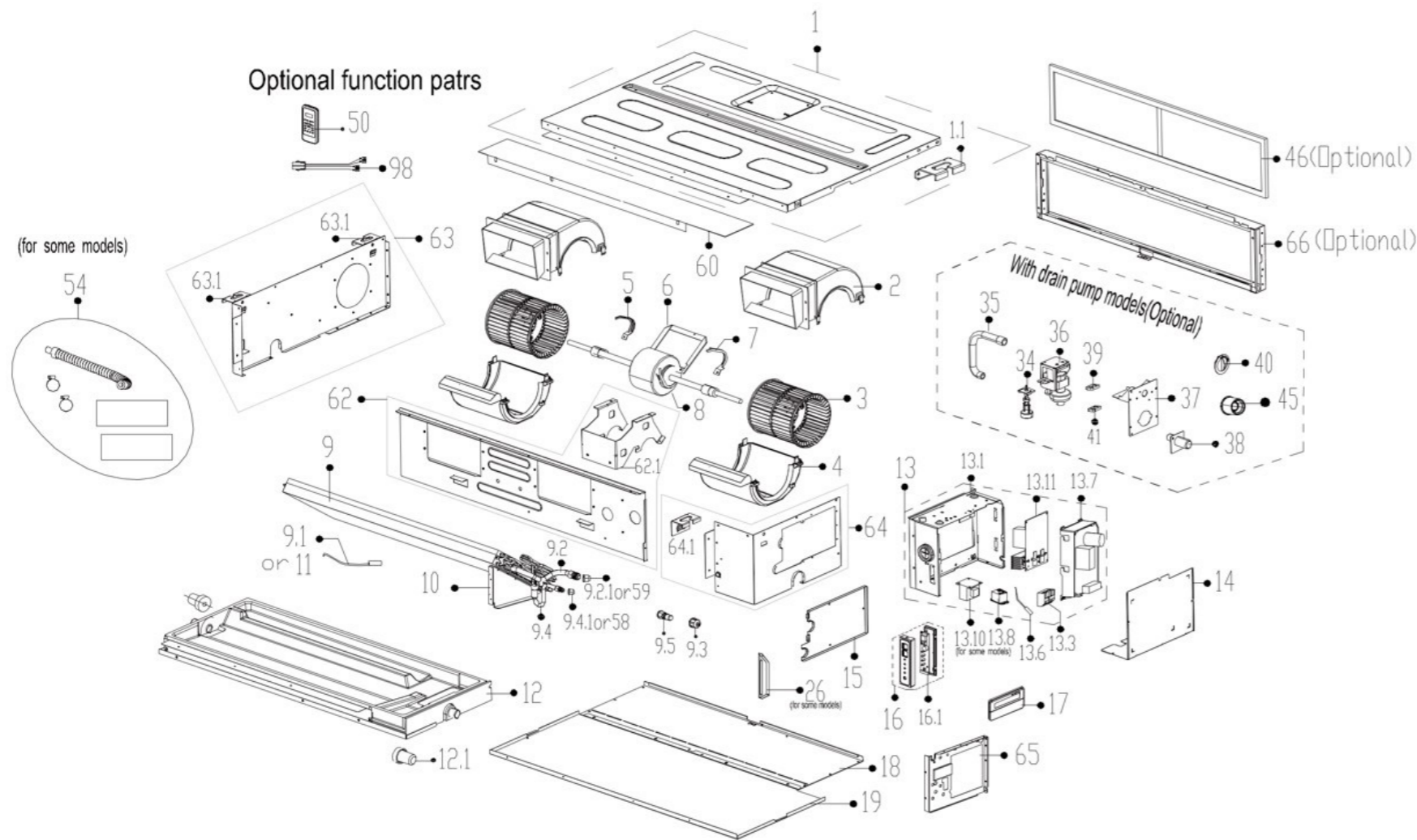
This diagram is provided to assist you to identify parts if replacement is necessary. Contact your place of purchase or the manufacturer to enquire about parts, availability and/or service.



Ref.	Description	Part No.
1	Chassis assembly	
1.1	Hook	
2	Top volute sub-assembly	
3	Centrifuge fan	
4	Lower volute sub-assembly	
5	Fan motor axes clamp (left)	
6	Fan motor fixing board	
7	Fan motor axes clamp (right)	

Ref.	Description	Part No.
8	Brushless DC motor	14152
9	Evaporator assembly	
9.1	Pipe temperature sensor	14163
9.2	Evaporator outlet pipe sub-assembly	
9.3	Pipe nut	
9.4	Evaporator inlet pipe sub-assembly	
9.5	Check valve	
10	Evaporator right support board sub-assembly	
12	Water collector	
12.1	Rubber plug	
13	Duct electronic control box sub-assembly	14188
13.1	Electronic control box	
13.3	Terminal	
13.6	Room temperature sensor	14109
13.7	Duct main control board sub-assembly	
13.10	Reactor	
13.11	Inverter module sub-assembly	
14	Electronic control box cover	
15	Pipe clamp board sub-assembly	
16	Duct display board sub-assembly	
16.1	Duct display board sub-assembly	
17	Wired controller	
18	Rear cover sub-assembly	
19	Top cover sub-assembly	
34	Water level sensor	14153
36	Induction pump	14147
38	Drain pipe	
39	Drain pump rubber washer	
41	Drain pump rubber washer	
46	Air filter	14185
54	Accessory kit	14184
58	Copper nut	
59	Copper nut	
62	Middle beam sub-assembly	
62.1	Fan motor support	
63	Left side plate assembly of cabinet	
63.1	Hook	
64	Right clapboard sub-assembly	
66	Right clapboard sub-assembly	

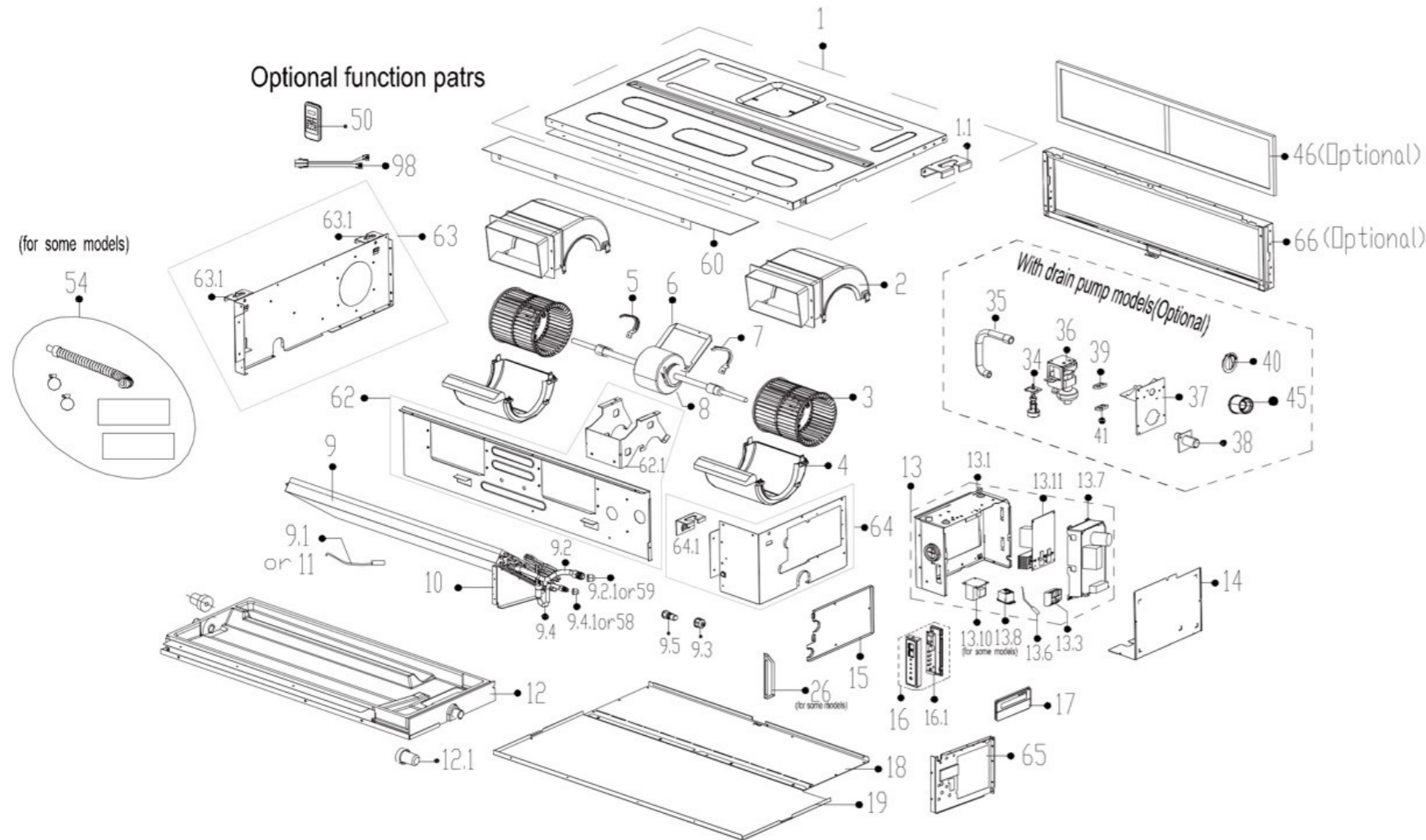
This diagram is provided to assist you to identify parts if replacement is necessary. Contact your place of purchase or the manufacturer to enquire about parts, availability and/or service.



Ref.	Description	Part No.
9.3	Pipe nut	
9.4	Evaporator inlet pipe sub-assembly	
9.5	Check valve	
10	Evaporator right support board sub-assembly	
12	Water collector	
12.1	Rubber plug	
13	Duct electronic control box sub-assembly	14187
13.1	Electronic control box	
13.3	Terminal	
13.6	Room temperature sensor	14157
13.7	Duct main control board sub-assembly	
13.10	Reactor	
13.11	Inverter module sub-assembly	
14	Electronic control box cover	
15	Pipe clamp board sub-assembly	
16	Duct display board sub-assembly	
16.1	Duct display board sub-assembly	
17	Wired controller	
18	Rear cover sub-assembly	
19	Top cover sub-assembly	
34	Water level sensor	14153
36	Induction pump	14147
37	Exhaust pump sub-assembly	
38	Drain pipe	
39	Drain pump rubber washer	
40	Cover of testing hole	
41	Drain pump rubber washer	
46	Air filter	14169
54	Accessory kit	14184
58	Copper nut	
59	Copper nut	
60	Rear beam sub-assembly	
62	Middle beam sub-assembly	
62.1	Fan motor support	
63	Left side plate assembly of cabinet	
64	Right clapboard sub-assembly	
64.1	Hook	
65	Right side plate	
66	Right clapboard sub-assembly	

Ref.	Description	Part No.
1	Chassis assembly	
1.1	Hook	
2	Top volute sub-assembly	
3	Centrifuge fan	
4	Lower volute sub-assembly	
5	Fan motor axes clamp (left)	
6	Fan motor fixing board	
7	Fan motor axes clamp (right)	
8	Brushless DC motor	14151
9	Evaporator assembly	
9.1	Pipe temperature sensor	14156
9.2	Evaporator outlet pipe sub-assembly	

This diagram is provided to assist you to identify parts if replacement is necessary. Contact your place of purchase or the manufacturer to enquire about parts, availability and/or service.



Ref.	Description	Part No.
9.4	Evaporator inlet pipe sub-assembly	
9.5	Check valve	
10	Evaporator right support board sub-assembly	
12	Water collector	
12.1	Rubber plug	
13	Duct electronic control box sub-assembly	
13.1	Electronic control box	
13.3	Terminal	
13.6	Room temperature sensor	14157
13.7	Duct main control board sub-assembly	14186
13.10	Reactor	
13.11	Inverter module sub-assembly	
14	Electronic control box cover	
15	Pipe clamp board sub-assembly	
16	Duct display board sub-assembly	
16.1	Duct display board sub-assembly	
17	Wired controller	
18	Rear cover sub-assembly	
19	Top cover sub-assembly	
26	Right clapboard strengthening board	
34	Water level sensor	14153
36	Induction pump	14147
37	Exhaust pump sub-assembly	
38	Drain pipe	
39	Drain pump rubber washer	
40	Cover of testing hole	
41	Drain pump rubber washer	
46	Air filter	14168
54	Accessory kit	14184
58	Copper nut	
59	Copper nut	
60	Front beam sub-assembly	
62	Middle beam sub-assembly	
62.1	Fan motor support	
63	Left clapboard sub-assembly	
64	Right clapboard sub-assembly	
64.1	Hook	
65	Right side plate	
66	Right clapboard sub-assembly	

Ref.	Description	Part No.
1	Chassis assembly	
1.1	Hook	
2	Top volute sub-assembly	
3	Centrifuge fan	
4	Lower volute sub-assembly	
5	Fan motor axes clamp (left)	
6	Fan motor fixing board	
7	Fan motor axes clamp (right)	
8	Brushless DC motor	14151
9	Evaporator assembly	
9.1	Pipe temperature sensor	14156
9.2	Evaporator outlet pipe sub-assembly	
9.3	Pipe nut	