

Rinnai

Installation guide

Symmetry heat transfer kit



Important:

The Symmetry heat transfer kit is suitable for use with all Rinnai Symmetry models. Up to two additional rooms can be warmed through the heat from the heat transfer system. One kit will heat one room.

It is best to install the heat transfer kit at the same time as the Rinnai Symmetry as unrestricted access to the side of the unit is needed.

The Rinnai Symmetry heat transfer kit must not be mounted in areas subject to direct splashing—relevant to floor installations that could be exposed to water.

The Rinnai Symmetry gas fireplace must be turned on for the heat transfer system to work (wall switch to operate).

Installation can be completed by a D.I.Y homeowner, however a licensed electrician is required to install the wall switch.

Please retain this manual for future reference.

Warning

Improper installation, adjustment, alteration, service or maintenance can cause property damage, personal injury or loss of life.

For more information about buying, living and servicing of Rinnai appliances call: 0800 RINNAI (0800 746 624)

Rinnai New Zealand Limited
105 Pavilion Drive, Mangere, Auckland
PO Box 53177, Auckland Airport, Auckland 2150

Phone: (09) 257 3800, Fax: (09) 257 3899
Email: info@rinnai.co.nz, www.rinnai.co.nz

contents:

About the heat transfer kit	4
Installer information	5
Kit contents	6
Fitting the spigot plate	7
Attaching the 6 m duct	8
Installing electrical components	9
Fitting the ceiling or floor outlets	10
Testing	10
Limited Warranty	11

Some wording in these instructions have been written verbatim from the *Weiss Heat Transfer System 1 Room to 1 Room instruction sheet (INS601r05:010702)*. This wording is denoted with a (W) at the end of the sentence.

About the heat transfer kit

The Symmetry heat ducting can be run horizontally and vertically through a wall, or through the floor to distribute warm air to another area without the need for a secondary heating source.

Heat output

The heat transfer system is capable of providing up to 2 kW of heat to additional areas.

Will this reduce the heat output of the Symmetry?

Yes, the heat output of the Symmetry will be reduced by the kilowatt output being diverted through the heat transfer system.

How hot is the air coming out through the ceiling or floor outlets?

This can be anywhere from 60-75 °C (including ambient air temperature). While this sounds hot, this heat quickly mixes with the cooler air in the room.

Should I keep the door closed of the room being heated?

It is not advisable as the room can overheat (no temperature control). Circulation of air is also maximised when internal doors are left open.

How long will it take to heat a room?

Approximately 1-2 hours depending on the size of the room.

Floor outlet

When not in use, close the louvres. This will reduce the amount of dust and other particles entering the ducting system.

The air flow direction of the floor outlet can be altered by taking out the side vents and repositioning.

Maintenance

The outlets can be cleaned using a soft damp cloth and mild detergent. Do not use solvents, and do not attempt to clean the outlets while the heat transfer system is in operation.

There is no servicing required for the fan.

Safety

The supply cord to the fan motor of this equipment cannot be replaced. If damaged, the entire unit should be replaced (W).

- When the heat transfer system is operating, do not restrict the warm air discharge by closing off, or placing articles directly over the outlets.
- Do not allow anyone to place or drop articles in the outlets.
- Children should be supervised at all times to ensure they do not play with any part of the system.

Installer information

Before installation check for damage (do not install any damaged items), check all components have been supplied, and read these instructions to get an overview of the steps required before starting.

General guidelines regarding installation

The heat transfer kit has been specifically designed and tested as a 9 m kit. Ducting length can be increased by joining two kits together, however, some heat loss may occur.

The insulated ducting has zero clearance to combustibles.

The first 6 m duct length must be positioned between the Symmetry and the fan. It must not be cut down. This is to ensure excessive heat does not run through the fan.

Do not cut the 3 m section of duct that connects the fan to the heat outlet—doing this may create excessive fan noise.

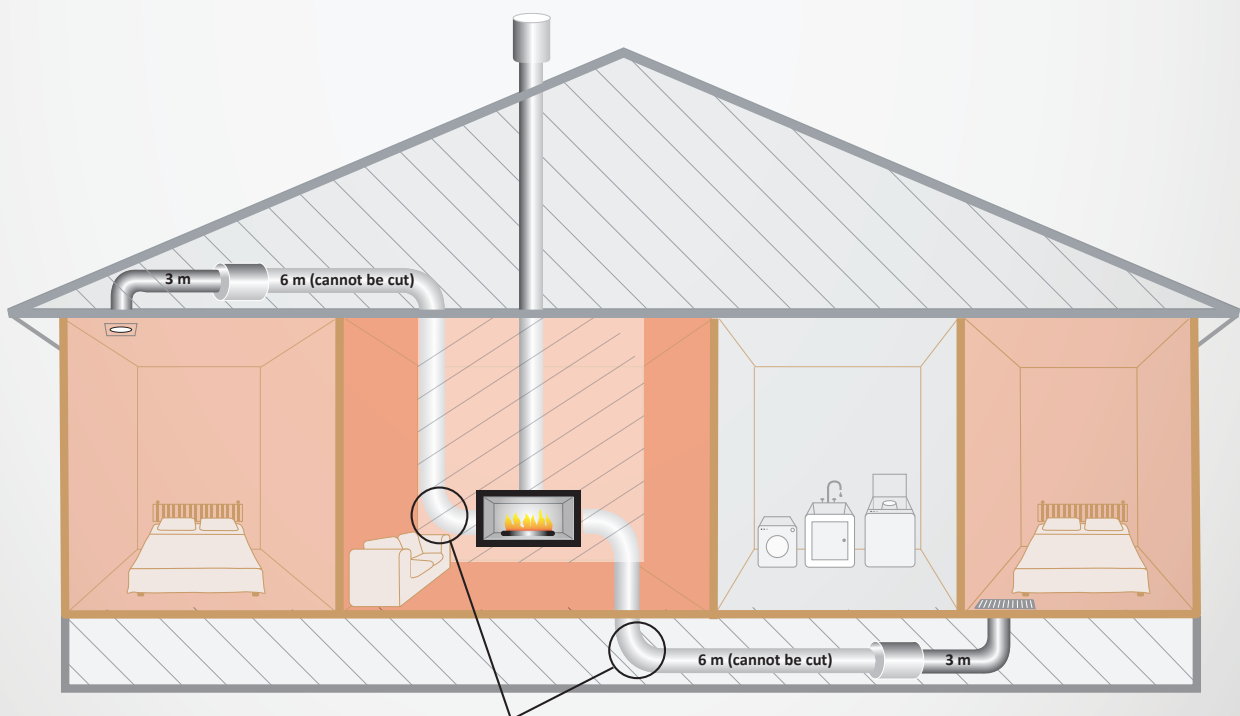
Connection outlets

Connection outlets for the heat ducting kits are on the right and left hand side of the Symmetry. Two heat ducting kits, one on each side, can be attached to the Symmetry unit.

Bends

Any bends in the ducting should be as smooth as possible so as not to restrict the air flow.

Ducting and bends should be supported as necessary—with wire from rafters etc. (W).



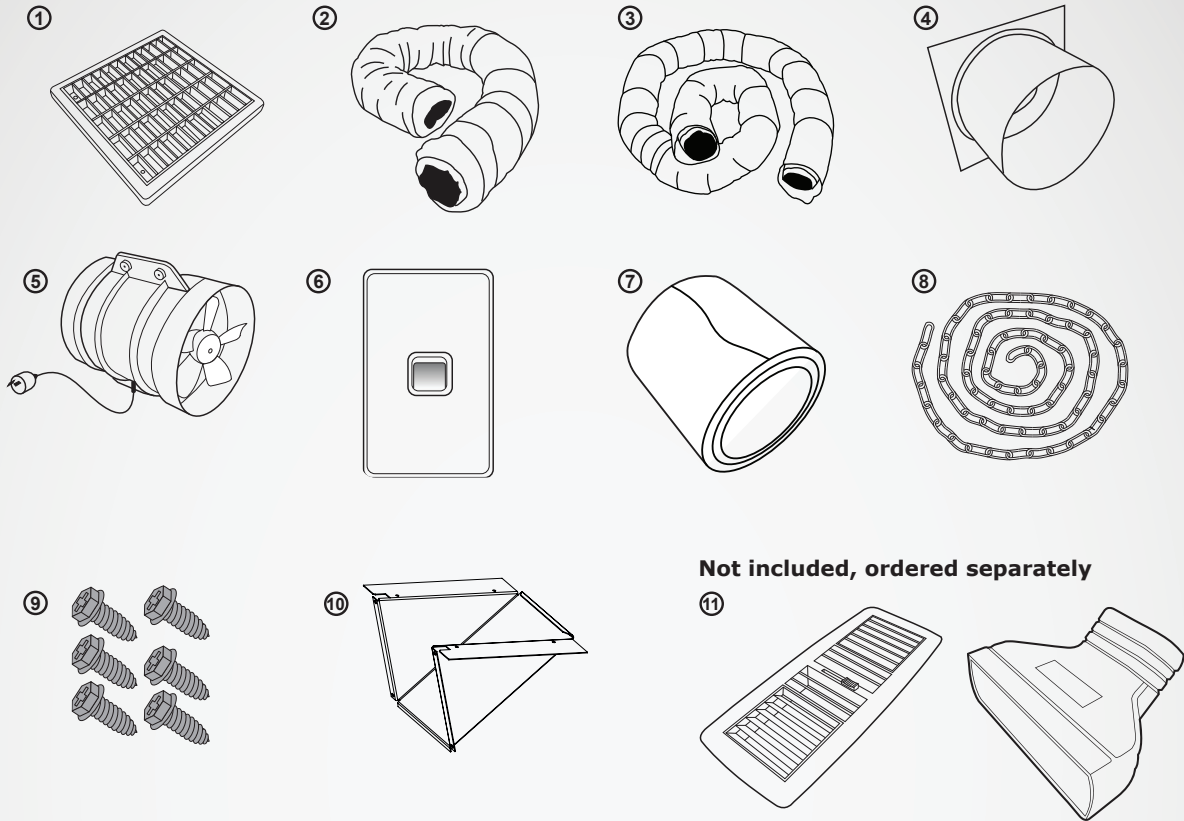
All duct bends to be kept as smooth as possible

Example of two Symmetry heat transfer kits joined together

6 m (must not be cut down) + fan + 3 m + 6 m (can be cut down) + fan + 3 m = 18 m

Kit contents

The Symmetry heat transfer kit (R3626) comes packaged in one box and contains the following:



Component	Quantity
1 Ceiling outlet	1
2 Duct 3 m (150 mm inner diameter)	1
3 Duct 6 m (150 mm inner diameter)	1
4 Spigot plate	1
5 Fan*	1
6 Wall switch	1
7 High temperature duct tape	1 roll
8 Hanging chain 2 m	1
9 Fastener pack	1
10 Spigot adaptor	1
Floor outlet (ordered separately)	
11 Floor outlet and transition boot	1

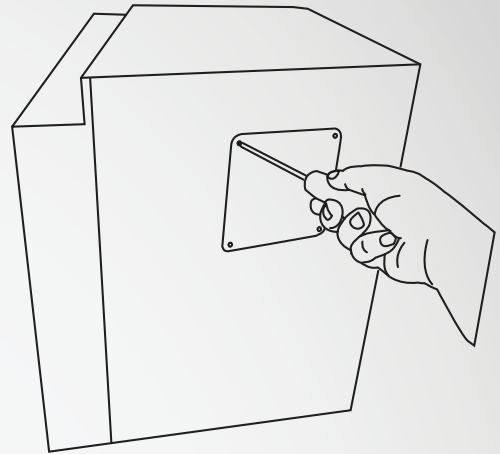
* Hi Temp Weiss Inline Fan Unit, 230 Volt, 50 Hz. T-class motor with nylon casing, dB(A) rating 51

Fitting the spigot plate

1. Remove the cover panel(s) on the side of the heater and discard. The position of the cover will differ according to the Symmetry model installed.
2. Fit the heat transfer spigot adaptor(s) to the side of the fireplace with the screws removed from the cover panel. Do not overtighten. When positioned correctly it will be mounted at an angle.

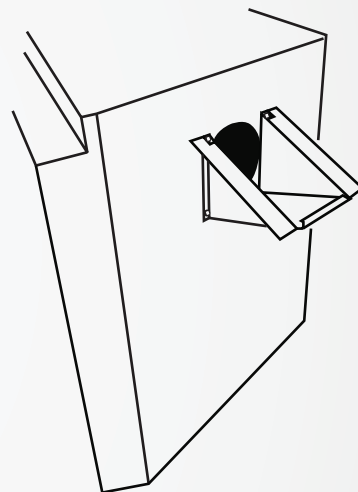
For through-floor installations, reverse the position of the spigot adaptor.

3. Fit the spigot plate(s) to the spigot adaptor with the screws provided in the fastener pack. Do not overtighten.



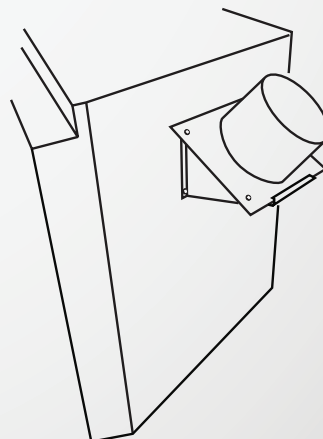
1. Remove cover panels and discard

Position of cover will vary according to Symmetry model.



2. Fit spigot adaptor

Will be in the reverse position for a through-floor installation.



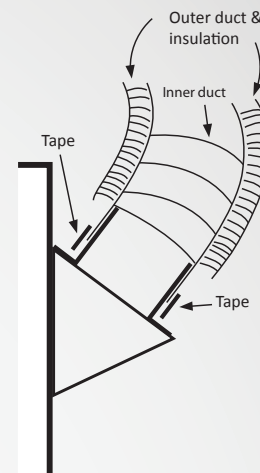
3. Fit spigot plate to adaptor

Attaching the 6 m heat duct

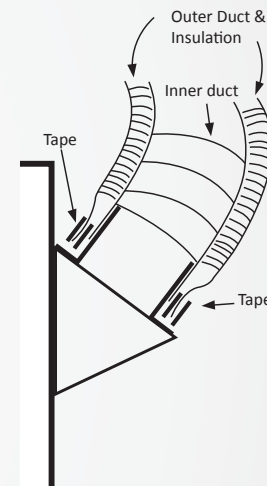
1. Tape the inner duct to the spigot plate. This ensures a secure attachment.
2. Tape the outer duct to the spigot plate. This keeps the outer duct from bunching and touching the side of the Symmetry. Ensure:
 - a complete seal around the duct
 - a smooth bend as the duct exits the appliance
 - a 250 mm distance from the side of the unit to the duct bend—the spigot adaptor automatically (if mounted correctly) provides this clearance

Important

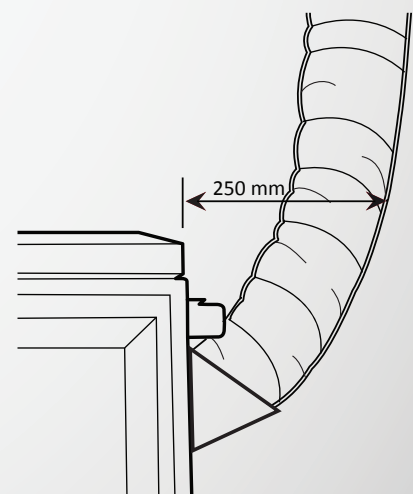
The first 6 m length of duct cannot be cut down. This will cause excessive heat to pass through the fan.



Tape inner duct to spigot. This securely attaches the inner duct the spigot.



Tape outer duct to spigot. Ensure duct does not touch the side of the Symmetry.



Maintain 250 mm distance from the side of the unit—ensure the duct does not come into contact with the Symmetry.

Installing electrical components

1. Install the fan using the hanging chain included in the kit. This fan is designed to be suspended as this helps reduce the noise and vibration. Positioning the fan as far away as possible from the outlet will also help reduce the fan noise.

Ensure the direction of air through the fan is correct. This is indicated with an arrow on the side of the fan housing.

For ease of servicing, the fan is supplied with a 3-pin plug. Rinnai recommends installation of the fan with the cord down.

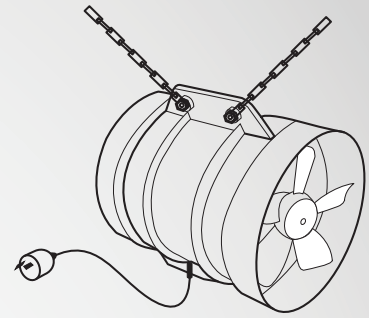
2. Install the wall switch and wire to the socket for the fan. The wall switch is best installed inside the doorway of the room being heated.
3. Attach the 6 m ducting to the fan using the high temperature duct tape provided.

Important

A licensed electrician is required to install the wall switch.

All duct work, securing, and positioning of the fan should be completed prior to connection of the electrical supply (W).

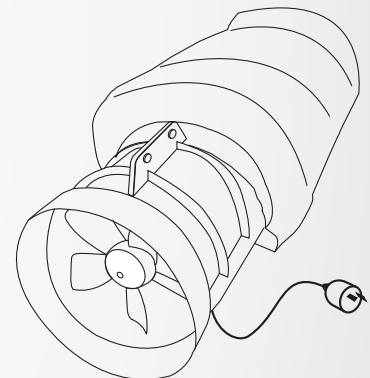
DO NOT remove the 3-pin plug and hard-wire the fan. The warranty will not cover costs associated with removing and replacing hard-wired fans.



Install fan on hanging strip and complete wiring.



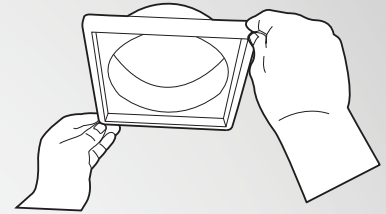
Arrow indicates direction of air through the fan.



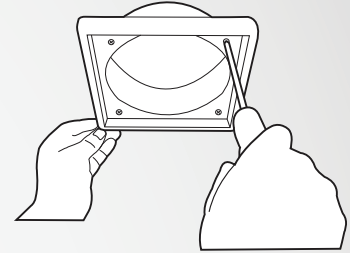
Attach 6 m duct to fan using duct tape.

Fitting the ceiling or floor outlets

1. Check position of the ceiling or floor outlet to ensure a 450 mm clearance (for a smooth bend in the duct), and that no ceiling or floor joists are in the way.



2. Scribe with a pencil the position of the ceiling or floor outlet.

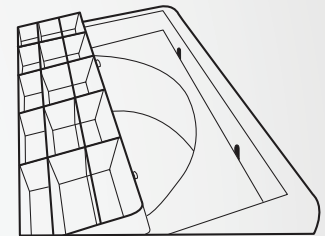


3. Ceiling outlet:

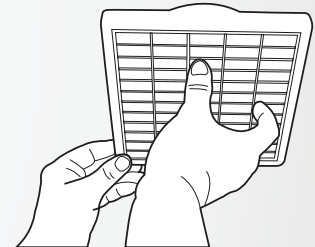
- Position white plastic vent and screw into place
- Place the outlet over the vent by clipping into place

Floor grill and transition boot:

- Position outlet in floor and screw into place
- Attach floor transition boot to floor outlet



4. Using the high temperature duct tape, attach (as outlined on p. 8) the 3 m ducting to the fan and ceiling outlet or floor transition boot. The 3 m of duct cannot be cut down as this could create excessive fan noise.



Testing

With the Symmetry operating and the fan switched on, observe that there is a steady flow of warm air coming from the outlets. The ducting will look inflated, and where there are bends, these should be as smooth as possible.

Limited Warranty

Rinnai brings you peace of mind with a:

2 Year minimum warranty

Terms and conditions

1. During the 24 month period from date of purchase and subject to clauses 2 and 3 below, Rinnai New Zealand Limited ("Rinnai") will, at its own discretion, either replace or repair any defective product at no charge to the customer.
2. This warranty covers manufacturing defects only. This warranty will not apply if (for example) the product has been improperly installed or is otherwise installed contrary to manufacturer's recommendations, has been damaged during or after installation, has not been operated in accordance with operating

instructions, or has been subjected to damage or abuse beyond that expected from conditions of normal use.

3. Warranty claims may be invalid if not accompanied by details of the installing or supervising gas fitter's registration number and the gas fitting certification number.
4. This warranty commences from the date of purchase. Proof of purchase is required at the time of any warranty claim.
5. Servicing of the product is to be carried out by a Rinnai authorised service centre.

All Rinnai appliances meet or exceed the safety standards required by New Zealand gas and electrical regulations. The company is constantly improving its products and as such specifications are subject to change or variation without notice.

RECORD YOUR DETAILS
OF PURCHASE BELOW:

Retailer:

Retailer address:

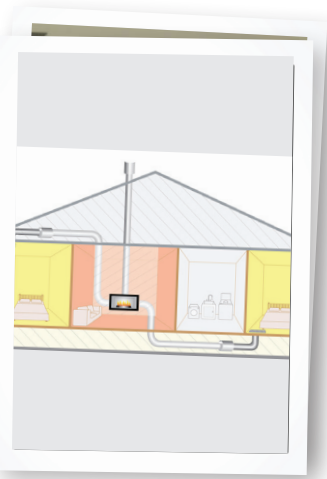
Date of purchase:

Product details:

ATTACH YOUR PROOF OF
PURCHASE HERE:



Please keep these details in a safe place for future reference.



Experience our innovation

Rinnai.co.nz | 0800 746 624

<http://www.youtube.com/rinnainz>