

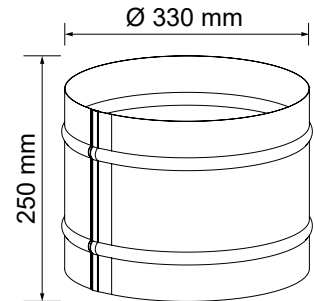
# Rinnai

## DV high wind vertical cowl protection kit (R3655) Installation

The direct vent high wind vertical cowl protection kit (R3655) is designed for windy areas such as Wellington, coastal properties, and elevated properties on hills etc. It is designed to wrap around the vertical flue cowl to reduce wind entering the flue and causing flame disturbances.

It is fitted to the vertical flue cowl and can be retrofitted.

Construction - stainless steel



Four self-drilling TEK screws (supplied)

